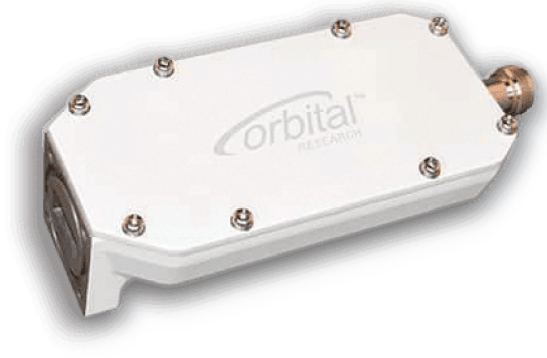


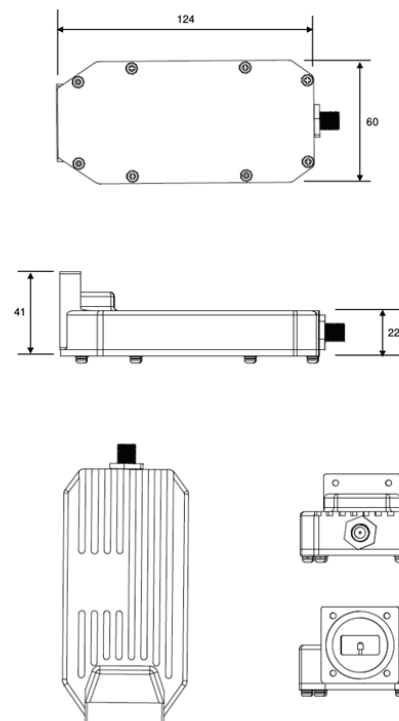
Orbital LNB Ku-Band 5300 Phase Locked Loop

Description

The Orbital 5300 Ku-Band Phase Locked Loop (PLL) LNB is built for applications that require high performance but not the ultra-low phase noise provided by an external 10 MHz reference. This economical, off-the-shelf LNB offers 60 dB gain, 500 to 750 MHz bandwidth, and frequency ranges from 10.95 GHz to 12.75 GHz. It's perfect for applications with less demanding phase noise requirements – such as consumer video, broadband, or DVB-S2 and DVB-S2X waveforms.



Mechanical Diagram



RoHS & REACH Compliant



v.230907

Orbital LNB Ku-Band 5300 Phase Locked Loop

Specifications

FREQUENCY RANGE

RF Frequency Band (GHz)	10.95 to 12.75
IF Frequency Band (MHz)	950 to 1700
Bandwidth (MHz)	500 or 750
Local Oscillator Frequency (GHz)	10.00, 10.75, 11.30
Noise Figure (dB)	0.7 nominal, 0.8 for wideband (1GHz)
LO Stability (ppm)	+/- 10 kHz over temp
LO Phase Noise	-80 dBc @ 1 IHz

VSWR

Input	2.2:1 nominal
Output across any band	1.5:1 nominal

GAIN

Gain	60 nominal
Flatness	+/- 1.5 dB over the band
Ripple	+/- 1.0 dB over any 36 MHz
Stability	+/- 2 dB over temp & freq

OTHER SPECS

1 dB Compressions (dBm)	+10
OIP3 (dBm)	+20
MTBF (> Hrs)	> 175,000 hours
Standards	RoHS and REACH

ENVIRONMENTAL

Operating Temperature (deg C)	-40 to +60
Humidity (%)	100% condensing

POWER

DC Input Voltage Range (Volts)	+12 to +24
DC Current Draw (mAmps)	220

MECHANICAL

Weight (grams)	350
Dimensions (mm)	125 x 60 x 41
Input Connector	WR-75
Output Connector	F, N

CUSTOM OPTIONS

Customized Gain	40 and 50 dB
Customized LO Frequencies	Yes

Specifications are subject to change without notice.

v.230907