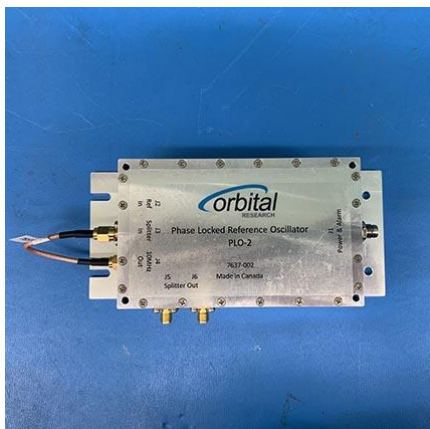




Orbital Phase Locked Oscillator (PLO)

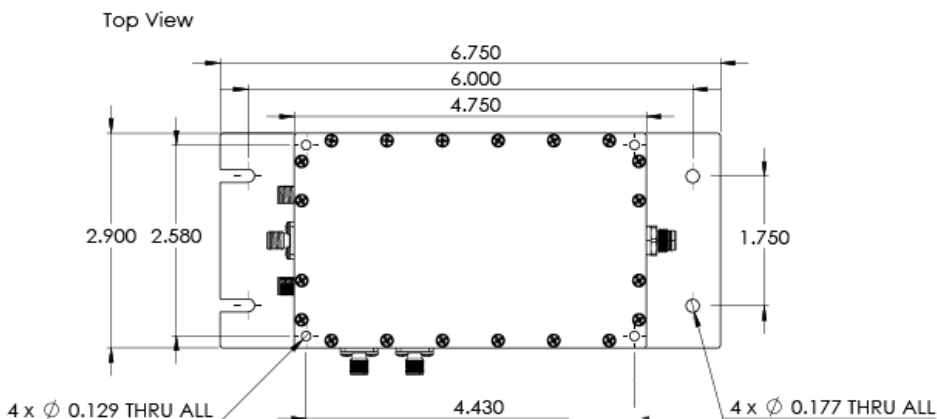
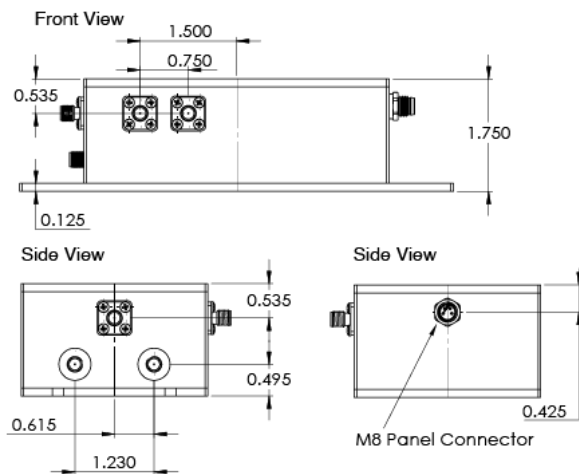


Orbital Research introduces our Phase Locked Oscillator for communications systems requiring extremely accurate timing. High modulation and coding techniques (ModCods) require extremely low phase noise. The Orbital Research PLO phase-locks to the station's 10 MHz reference, reduces system phase noise and filters out any extraneous signals.

This allows the 10 MHz station reference to be distributed to non-located equipment like modems and up and down converters while maintaining or enhancing the station reference phase noise. The PLO is perfect for applications that require a single station clock but require enhanced phase noise for specific satellite links.

Advantages:

- One station clock can be replicated across complex, large systems
- Regenerate 10 MHz signal strength despite system challenges
- Build a well-timed system
- Low phase noise
- Customize phase noise for different systems
- Monitor the status of your system, real time from anywhere
- Built-in 10 MHz splitter – 2 or 6 ports
- Stable, free running 10 MHz signal if station clock goes down
- Plug and Play for easy installation
- Built-in Mounting Plate
- Low Phase Noise for higher order ModCods
- Immune to humidity and wet weather conditions
- Eliminates EMI radiation to avoid interference with other systems
- Anodized case prevents oxidization



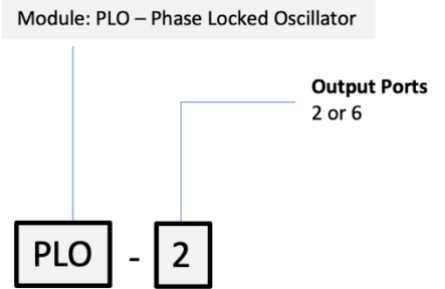
10 MHz OUTPUT SPECIFICATIONS

Reference Input Frequency	10 MHz +/- 2 ppm
Input Level	+7 dBm +/- 6 dB
Input Connector/Impedance	SMA/50 ohms
Reference Output Frequency	10 MHz
Stability	Phase Locked to incoming 10 MHz Reference
Freerunning Stability	5 x 10-10/ 5 x 10-8/year
Phase Noise (Typical)	
10 Hz	-130 dBc/Hz
100 Hz	-152 dBc/Hz
1K Hz	-162 dBc/Hz
10K Hz	-172 dBc/Hz
100K Hz	-173 dBc/Hz

DC Input	18 to 28 VDC
DC Input Connector	M8
Alarm Output	M8 (common with DC In)
Operating Temperature	-40C to +60C
Humidity	100%, Condensation and Frost
RoHS and REACH Compliance	

HOW TO ORDER

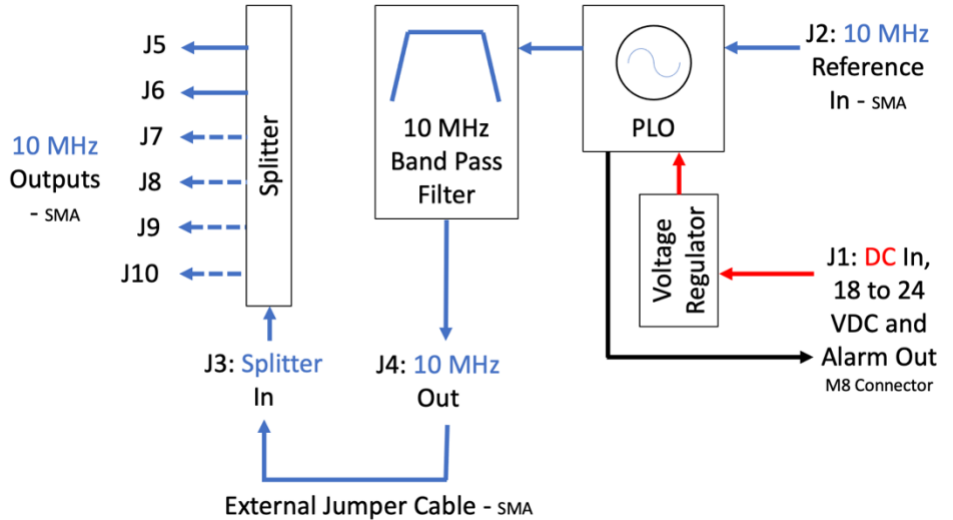
PLO-2 (2 port)
PLO-6 (6 port)



COMMON SPECS

Output Level (2 Port)	+10 dBm +/- 2 dB
Output Level (6 Port)	+4 dBm +/- 2 dB
Output Connectors/Impedance	SMA/50 ohms

Option
100 MHz outputs



Please contact Orbital Research for ordering information: Sales@OrbitalResearch.net