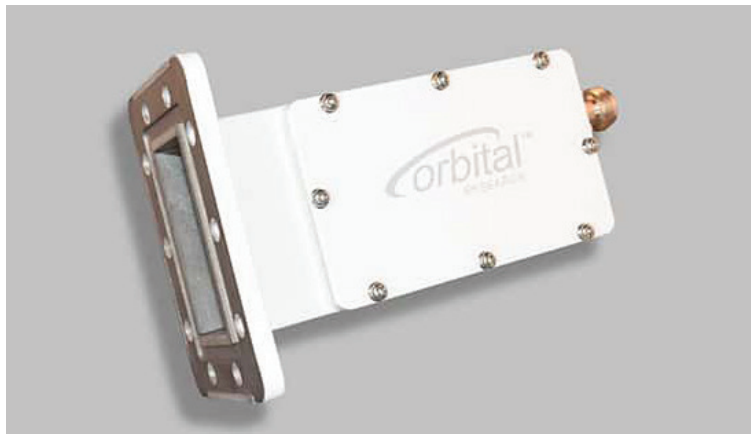
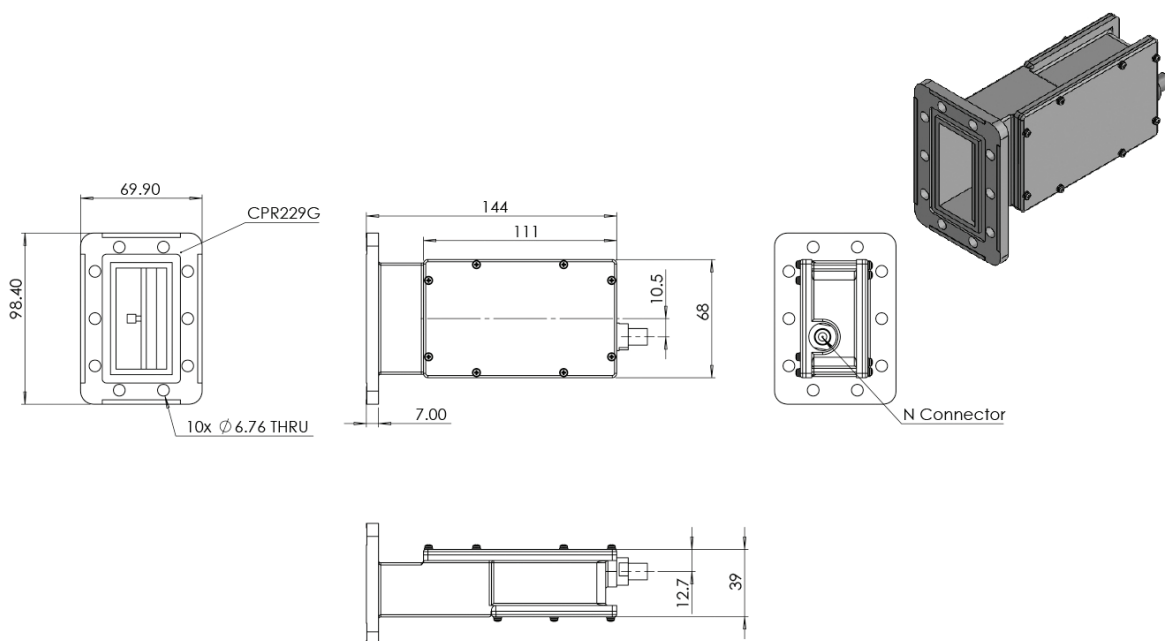




3300 Off-the-Shelf C-Band PLL LNB



The Orbital 3300 C-Band Phase Locked Loop (PLL) LNB is a high-quality entry-level unit with good stability and noise temperature. It offers frequency ranges from 3.40 GHz to 4.20 GHz and bandwidth between 500 MHz and 800 MHz. Excellent gain flatness, a superior noise figure, and an economical price make this PLL LNB a perfect choice for traditional C-band applications like video – especially in rainy regions



FREQUENCY RANGE

RF Frequency Band (GHz)	3.4 to 4.2
IF Frequency Band (MHz)	950 to 1750
Bandwidth (MHz)	500, 575 or 800
Local Oscillator (GHz)	515
Noise Figure (dB)	25k @ 25C
LO Stability	+/- 5 kHz over temperature
LO Phase Noise	-80 dBc/Hz @ 1 kHz

VSWR

Input	3.0:1 nominal
Output	2.5:1 nominal

GAIN

Gain (dB)	60 nominal
Ripple	+/- 1 dB over any 36 MHz

OTHER SPECS

Image Rejection	> 45 dBc max
1 dB Compression (dBm)	+10 dBm min
OIP3 (dBm)	+20 dBm min

ENVIRONMENTAL

Operating Temp	-40C to +60C
Non-Operating Temp Range	-40C to +60C
Humidity	100% condensing
MTBF	> 700,000 hours
Standards	RoHS and REACH

POWER¹

Current Draw	250 mA max
Input Voltage Range	+12 to + 24 VDC

MECHANICAL

Weight (grams)	500
Length (mm)	144
Width (mm)	68
Depth (mm)	39
Input Connector	WR-229G
Output Connector	F, N

Please contact Orbital Research for ordering information: sales@orbitalresearch.net

¹ Power supplies must meet 100 mV maximum ripple and noise