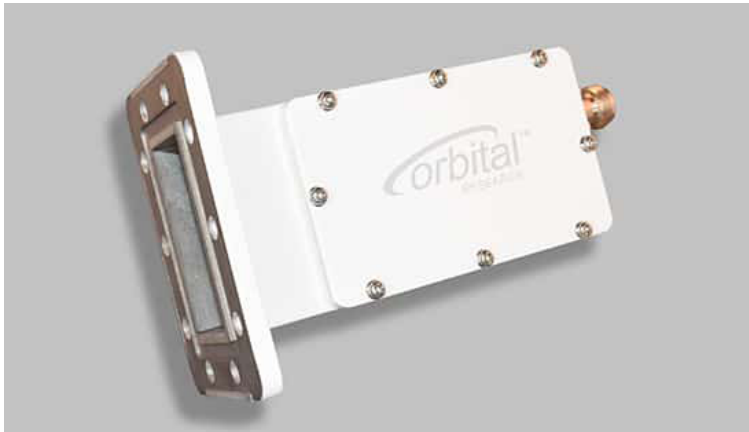
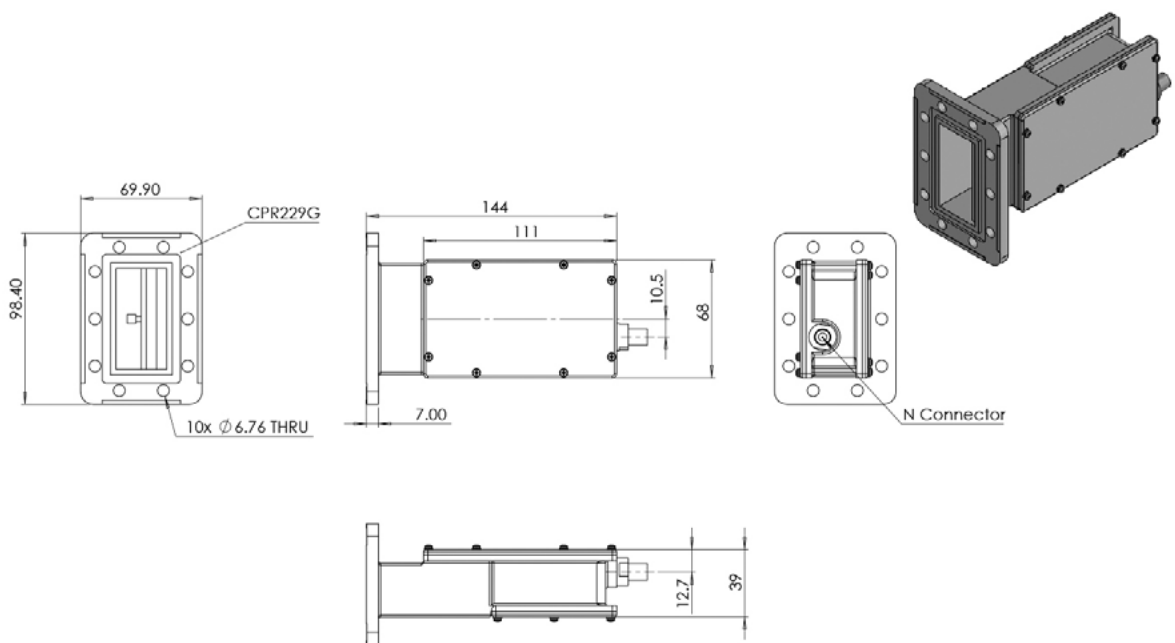




## Orbital 3300 Enhanced C-Band PLL LNB



This C-band Phase Locked Loop (PLL) LNB is an off-the-shelf unit that has been enhanced to provide superior gain flatness and input/output VSWR. It delivers bandwidth of up to 800 MHz in the 3.40 to 4.20 GHz frequency range, offers options for gain variation, and works reliably in wet and rainy conditions. This LNB can be customized to meet demanding and exacting standards – and is a great choice for commercial and military SATCOM applications.



## FREQUENCY RANGE

RF Frequency Band (GHz)	3.4 to 4.2
IF Frequency Band (MHz)	950 to 1750
Bandwidth (MHz)	500, 575 or 800
Local Oscillator (GHz)	515
Noise Figure (dB)	25k @ 25C
LO Stability	+/- 5 kHz over temperature
LO Phase Noise	-80 dBc/Hz @ 1 kHz

## VSWR

Input	2.2:1 nominal
Output	1.5:1 nominal

## GAIN

Gain (dB)	60 nominal
Ripple	+/- 1 dB over any 36 MHz

## OTHER SPECS

Image Rejection	> 45 dBc max
1 dB Compression (dBm)	+10 dBm min
OIP3 (dBm)	+20 dBm min

## ENVIRONMENTAL

Operating Temp	-40C to +60C
Non-Operating Temp Range	-40C to +75C
Humidity	100% condensing
MTBF	> 700,000 hours
Standards	RoHS and REACH

## POWER<sup>1</sup>

Current Draw	250 mA max
Filtering	Transient, over and reverse voltage protection
Input Voltage Range	+12 to + 24 VDC

## MECHANICAL

Weight (grams)	500
Length (mm)	144
Width (mm)	68
Depth (mm)	39
Input Connector	WR-229G
Output Connector	F, N, SMA, TNC

## OPTIONS

Temperature compensated Gain (-20C to +55C) +/- 0.75 dB 40 or 50 dB
--

Please contact Orbital Research for ordering information: [sales@orbitalresearch.net](mailto:sales@orbitalresearch.net)

<sup>1</sup> Power supplies must meet 100 mV maximum ripple and noise