



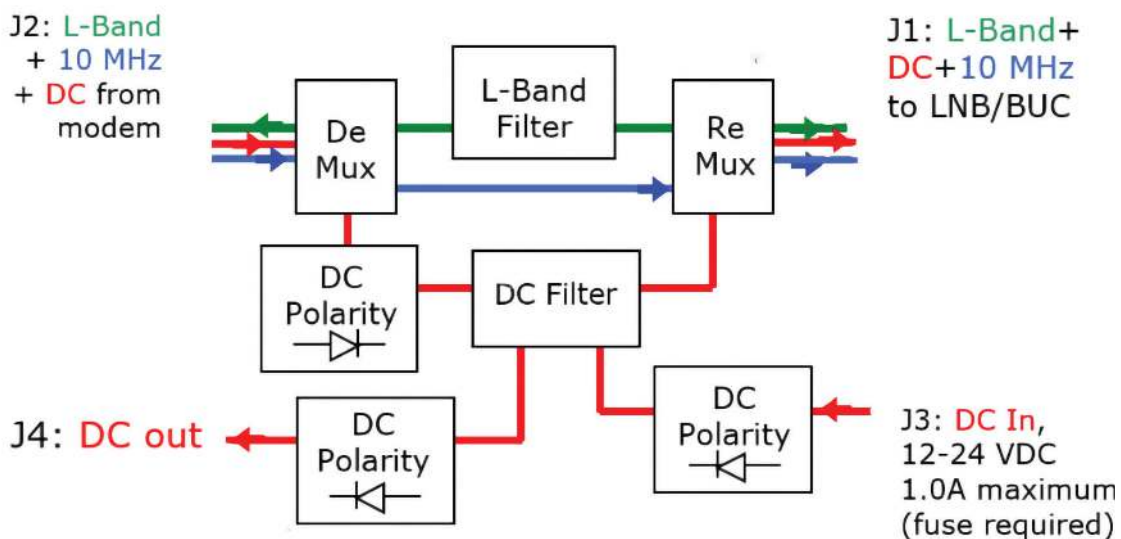
Orbital DC Power Extractor Thru Tee



The Orbital DC Power Extractor Thru Tee (DET-25/40) taps off the incoming DC from the modem and splits it between the combined port to the LNB/BUC and a separate DC-only port – so you can power an external device at the antenna. It also acts as a bias tee thruplexer (thru tee) and filters L-band, 10 MHz and DC signals.

The primary purpose of this product is to provide an easy source of DC voltage at the antenna without having to run a separate power cable, however it can also take in an external DC input. The higher DC voltage between this input port (J3) and the DC from the modem (J2) is applied to the output port to the LNB or BUC (J1). This unique feature opens up many possibilities for the system integrator – such as creating a back-up power source for the LNB or BUC.

- Filters L-band, 10 MHz and DC signals, inserts DC (optional)
- Extracts DC power from the modem to power an external device
- Low insertion and thru loss
- Choice of connectors and impedances
- Customizable form factors and mounting options



ELECTRICAL

L Band	
Bandpass	10 MHz & 950 to 2100 MHz
Thru Loss	1.0 dB maximum
Ripple	±0.5 dB maximum
Input VSWR	1.5 : 1 maximum
Output VSWR	1.5 : 1 maximum
10 MHz	
Passband	1-100 MHz (3 dB down)
Thru Loss	1.5 dB 10 MHz to LNB port maximum
DC	
Filtering	Hash filter, low pass filter
Resistance	0.132 ohms (average)

MECHANICAL

Measurements	Tolerance ±.005 in.
Size (case)	3.425l x 2.55w x 0.88h in.
Size (with conn)	3.425l x 3.8w x 0.88h in.
Weight	5 oz
Paint / Colour	Blue anodized finish
Mounting holes	3/8" (5mm) Accepts standard rackmounting screws 10/32 or 10/34

RoHS & REACH Compliant

ENVIRONMENTAL

Operating Temp	-40 to +60° Celsius
Relative Humidity	Up to 100% condensation and frost

POWER SPECIFICATIONS

Input DC Voltage	Passive device No power required
Power Capacity	12 to 24 VDC - 1.0A

SWITCHING POWER SUPPLY

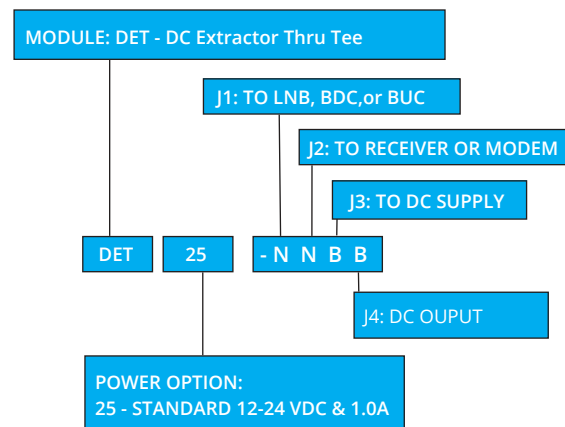
(not included with DC Extractor Thru Tee)

See:	PS1 brochure for N. America PS2 brochure for Global
------	--

CONNECTORS AVAILABLE

J1, J2: L-Band ports	S - SMA 50Ω F - F, 75Ω N - N, 50Ω
J3: DC Supply	B - BNC (preferred) S - SMA N - N T - TNC ft - feedthru
J4: 10 MHz	B - BNC (preferred) S - SMA N - N

HOW TO ORDER



For more information to order, please contact us at sales@orbitalresearch.net