

System Interface Products

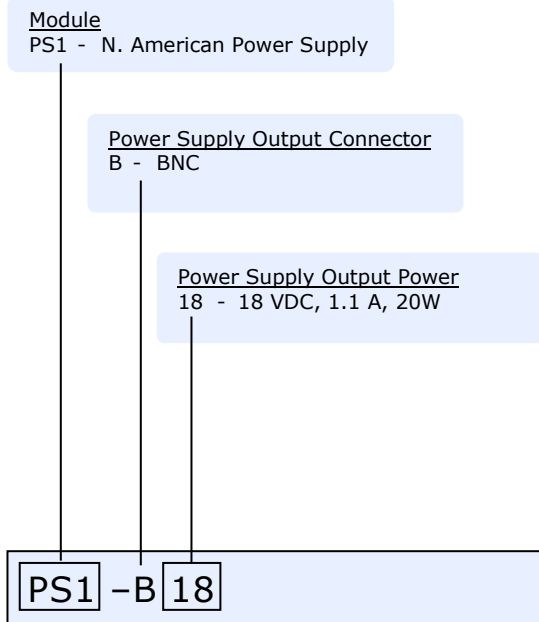


PS1 Series - North American Power Supply



High Efficiency, Compact, North American Power Supply

How to order a PS1 Series – North American Power Supply



Orbital Design:

Orbital Research introduces the PS1 - North American Power Supply that is an accessory to the System Interface Product (SIP). It can be used with the MT25/40 - Mux/Tee, RPT - Redundant Power Tee, MOS - Master Oscillator, POS - Precision Oscillator, MOM - Master Oscillator Module, POP - Precision Oscillator Package, or MODM - Master Oscillator with Dual Modules. The PS1 can supply power for Oscillator, LNB or BDC.

Orbital Features:

- Voltage Input: 90 - 264 Vac
- Frequency: 47 to 63 Hz
- Continuous Short Circuit Protection
- Over Voltage Protection - Option
- Over Current Protection
- High Efficiency, 75% Typical
- Meets EN55022 Class "B" Conducted

Ordering:

The PS1 power supply can be for powering an Orbital Oscillator or for LNB or BDC power through an Orbital Mux/Tee, Thru Tee or Dual Power Tee. The PS1 is perfect for powering Orbital's MOS and POS Oscillators. Please make sure and choose the proper output connector.

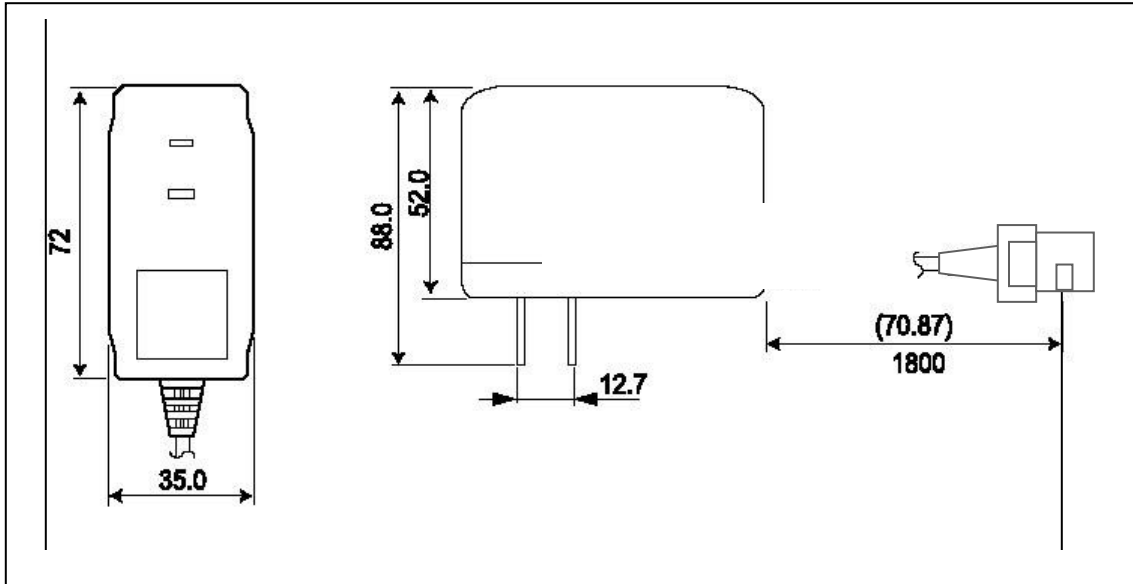
Sales contact:

sales@orbitalresearch.net

1 604 419-8585

www.orbitalresearch.net

System Interface Product (SIP): PS1 - Power Supply Specifications



Mechanical drawing with dimensions

Model	Output Voltage	Output Current	Ripple & Noise	Voltage Accuracy	Line Regulation	Load Regulation
PS1--18	18V	1.1 A	1%	± 2%	± 1%	± 2%

Note:

1: Voltage accuracy at 60% full load.

2: Add a 0.1uF ceramic capacitor and a 10uF E.L. capacitor to output for the Ripple & Noise measurement @ 20MHz BW.

Electrical Specifications

Input Characteristics

Voltage: 90 to 264 Vac
 Frequency: 47 to 63 Hz
 Input Current: 0.5A Maximum
 Inrush Current: 50A Maximum @ 264 Vac

Transfer Characteristics

Holdup Time: 10mS typ. @ 115 Vac
 Short Circuit Protection: Continuous (Auto Recovery)
 Over Current Protection: Constant Current type
 MTBF: >70,000 hours

Environmental Specifications

Operating Temp: 0 to 40°C
 Storage Temp: -20 to 85°C

Mechanical Specifications

Dimensions: 2.83 x 2.04 x 1.38 inches
 Weight: 0.35 pounds

Orbital Research Ltd. designs and builds products for satellite communications applications. Orbital website: www.orbitalresearch.net. Copyright © 2013 Genie in the Bottle Enterprises Inc. All rights reserved. Specifications subject to change without notice.

