



## System Interface Products

### MODM – Master Oscillator - Dual MuxTees



10MHz Master Oscillator plus Dual Mux/Tees in one package

#### How to order a Master Oscillator Dual Mux/Tees (MODM)

##### Module

MODM - Master Oscillator Dual Mux/Tees

##### Mux/Tee -1 Connectors

**J1:** To LNB, BDC or BUC  
**J2:** To Receiver or modem  
**J3:** DC in  
**J4:** 10 MHz in

##### 10MHz Oscillator Connectors

**J5:** Oscillator DC out  
**J6:** 10 MHz out  
**J7:** Oscillator DC in  
**J8:** 10 MHz out

**MODM - NNBS-BSBS-NNBS**

##### Mux/Tee -2 Connectors

**J9:** To LNB, BDC or BUC  
**J10:** To Rx or modem  
**J11:** DC in  
**J12:** 10 MHz in

##### Connectors available:

**J1, J2, J9, J10: L-Band: To LNB/BUC & Rx/Modem**

F - F, 75Ω                      S - SMA, 50Ω  
 N - N, 50Ω

**J3, J5, J7, J11: DC Supply**

B - BNC (preferred)    N - N            ft - feedthru  
 T - TNC                      S - SMA

**J4, J6, J8, J12: 10 MHz Signal**

All connectors are SMA

BNC-to-pigtail adapters and BNC-to-binding post adapters sold separately. See SIP price list for part number and price.

#### MODM Features

##### Oscillator

- Great phase noise: -147 dBc/Hz @ 1 kHz
- Excellent stability, long and short term
- Sine wave purity, low harmonic content

##### Mux/Tees (high power version)

- Highpass filtered L band, Roll-off below 900 MHz, flat 950 thru 2900 MHz
- Low thru loss from 10 MHz input to LNB
- Any in, Any out Impedance transforms (eg. 75 Ω in, 50 Ω out)
- Very low bandpass ripple
- Very low L band through loss
- Very high Rx to 10MHz port isolation, no leakage back to rx
- Superior Input and Output VSWR
- Protects phase noise performance

##### Functional

- Will operate with LNBS, BDCs, VSATs, BUCs, and Modems

##### Structural

- Machined from solid aluminum billet for strength and stability
- Anodized finish for corrosion protection and excellent RF shielding/grounding
- Connectors are 'O' ring sealed for weather resistant operation
- RoHS and REACH compliant

#### Oscillator Power Supply

The Orbital MODM Oscillator has a second, feedthrough connector to allow the input DC to be fed through to one of the Mux/Tees to power the LNB or BUC attached.

#### Sales contact:

David Zuvic

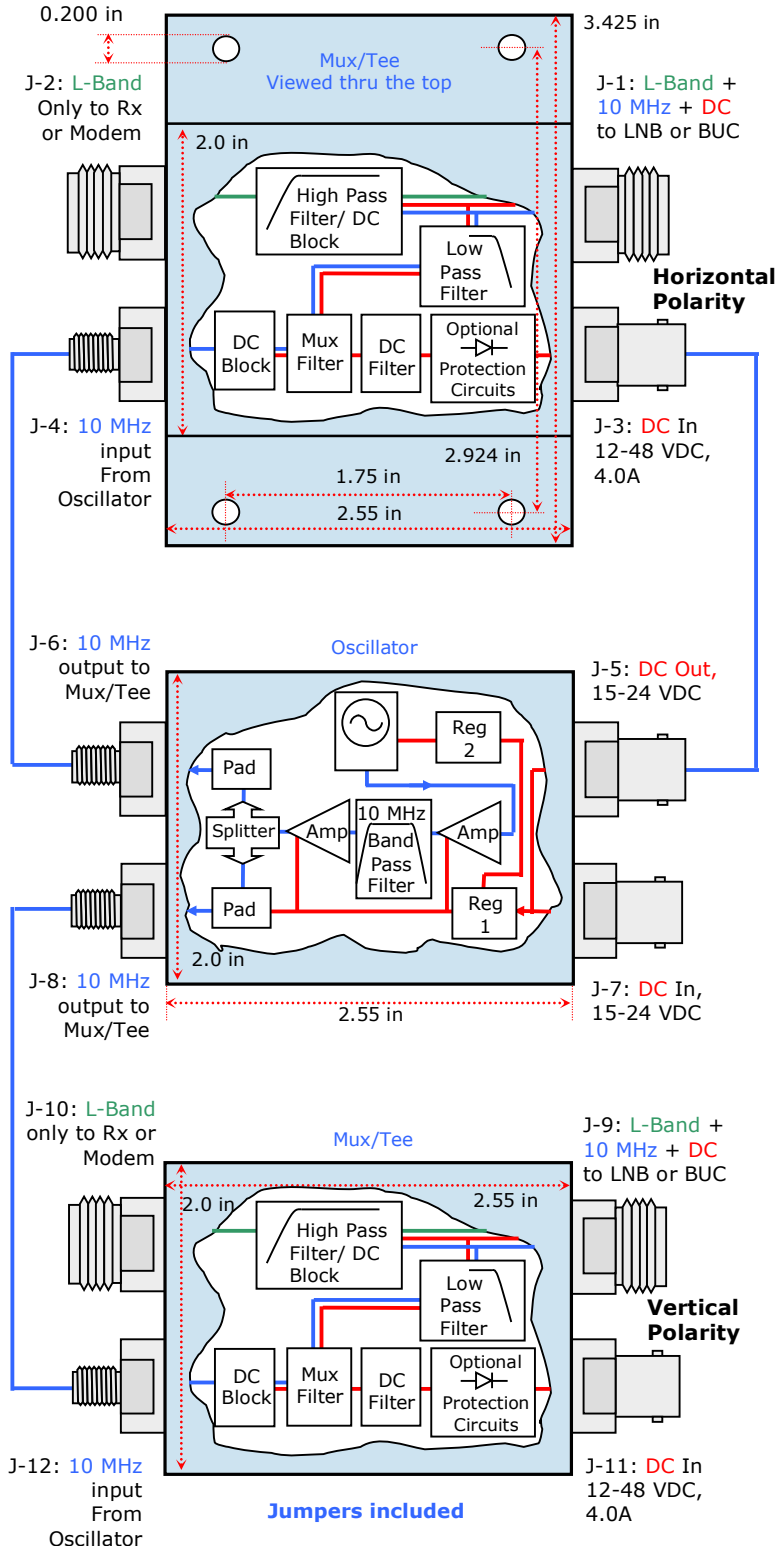
Tel: (604) 856-0305,

[dzuvic@orbitalresearch.net](mailto:dzuvic@orbitalresearch.net)

[www.orbitalresearch.net](http://www.orbitalresearch.net)

# System Interface Product: MODM - Specifications

**MODM Block Diagram  
Mechanical Dimensions +  
Functional Block Diagram  
Viewed as if dismantled**



## Mux/Tee

### L Band

Bandpass: 900 to 2100 MHz  
Thru Loss: 0.5 dB maximum  
Ripple:  $\pm 0.3$  dB maximum  
Input VSWR: 1.3 : 1 maximum  
Output VSWR: 1.3 : 1 maximum

### 10 MHz

Passband: 1-100 MHz (3 dB down)  
Thru Loss: 0.1 dB 10 MHz to LNB port  
Isolation:  $>90$  dB 10 MHz to Rx port

### DC

Filtering: Hash filter, low pass filter  
Resistance: 0.132 ohms (average)

## 10 MHz Oscillator

Frequency: 10 MHz  
Level: +2 dBm  
Stability:  $\pm 1.5 \times 10^{-7}$ , 0 to +40°C  
Aging:  $\pm 1 \times 10^{-6}$  per day after 30 days  
 $\pm 5 \times 10^{-6}$  per year after 180 days  
Phase Noise: 100Hz -130 dBc/Hz  
1kHz -147 dBc/Hz  
10kHz -148 dBc/Hz  
100kHz -148 dBc/Hz

## Power Specifications

### Oscillator

Input DC Voltage: +15 to +24 V supplied via DC input connector  
Current Drain: Approximately 100 mA

### Mux/Tees

Input DC Voltage: +12 to +48V supplied via DC input connector  
Current Capacity: 4.0 Amps

## Mechanical Specifications

Measurements: Tolerance  $\pm 0.005$  in.  
Size: 3.425i x 2.55w x 2.45h in.  
Weight: 15 oz  
Paint / Colour: Blue Anodized finish  
Mounting holes: 3/8" (5mm)  
Accepts standard rackmounting screws: 10/32 or 10/34

RoHs and REACH Compliant

## Environmental Specifications

Operating Temp: 0 to +40° Celsius  
Relative Humidity: Up to 100% condensation and frost

## Power Supply (not included with MODM)

See: PS1 brochure for North America  
PS2 brochure for Global

Orbital Research Ltd. designs and builds products for satellite communications applications. Website: [www.orbitalresearch.net](http://www.orbitalresearch.net). Copyright © 2017 Genie in the Bottle Enterprises Inc. All rights reserved. Specifications subject to change without notice.