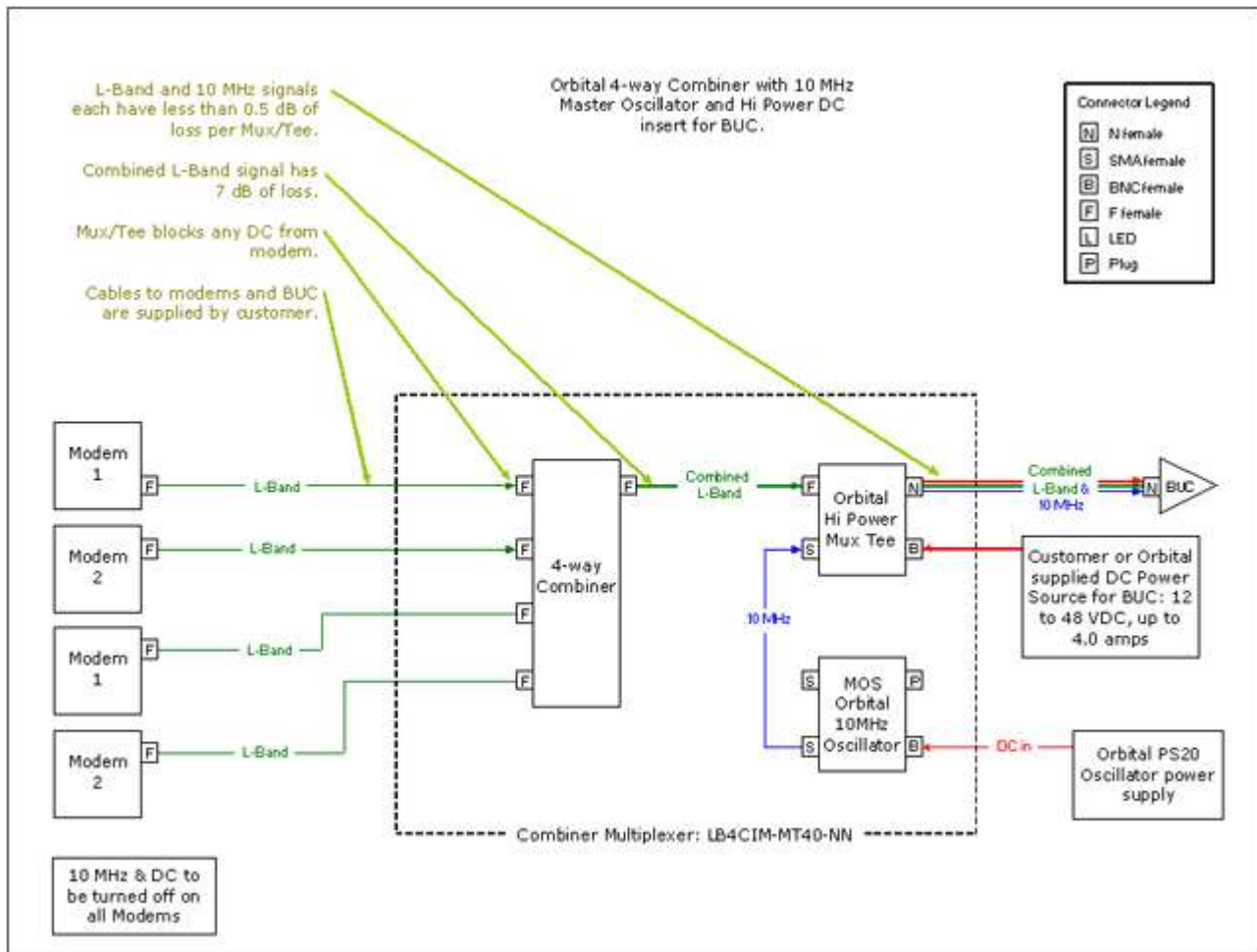


## Four Way Combiner with 10 MHz Master Oscillator

### Orbital 4-way Combiner with 10 MHz Master Oscillator and Hi Power DC insert for BUC

With the 10 MHz reference and DC turned off on a quartet of modems, only the L-Band is passed to the 4-way combiner. An Orbital MOS provides the 10 MHz reference to the Orbital Hi Power Mux/Tee that integrates the signals and inserts the DC to the high power BUC.



### Signal Line Legend

- DC Power
- L-Band
- 10 MHz Reference

Cables from Modem to Combiner and from Combiner to BUC, supplied by customer. All of jumpers supplied by Orbital.

All modems need to have their DC turned off.

The 10 MHz signal is provided by an Orbital standalone, 10 MHz Oscillator (MOS).

The Orbital Hi Power Mux/Tee is required at the output of the Combiner to integrate the

10 MHz with the L-Band signal and DC power (12 to 48 VDC at up to 4 amps).



# POP - Precision Oscillator Package

Shown as a stack, also available on a plate, or in a rack.

