

# C Band 3300 Series PLL LNB



Part Number	Input Frequency	Output Frequency	Output Conn
LNB515S-800P-WF60 LNB515S-800P-WN60	3.40 to 4.20 GHz 3.40 to 4.20 GHz	950 to 1750 MHz 950 to 1750 MHz	F 75Ω (f) N 50Ω (f)
LNB515S-575P-WF60 LNB515S-575P-WN60	3.625 to 4.20 GHz 3.625 to 4.20 GHz	950 to 1525 MHz 950 to 1525 MHz	F 75Ω (f) N 50Ω (f)
LNB515S-500P-WF60 LNB515S-500P-WN60	3.70 to 4.20 GHz 3.70 to 4.20 GHz	950 to 1450 MHz 950 to 1450 MHz	F 75Ω (f) N 50Ω (f)

\*SMA output connectors also available

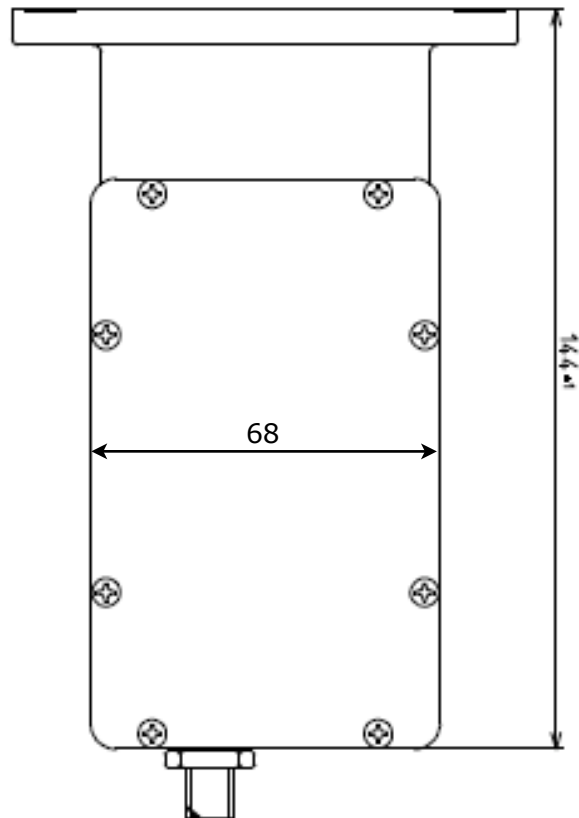
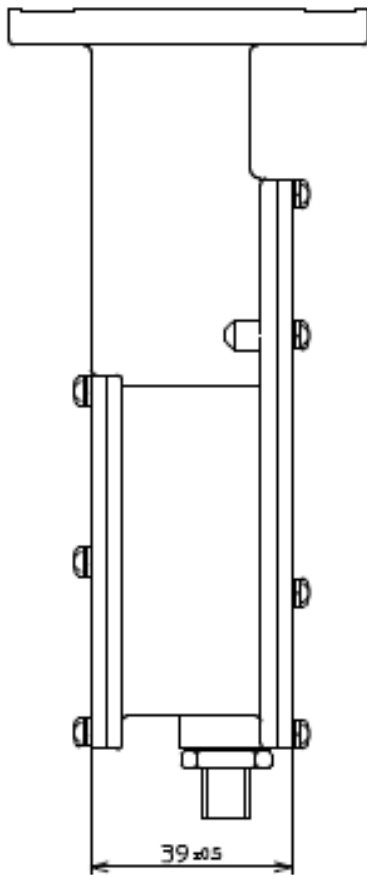
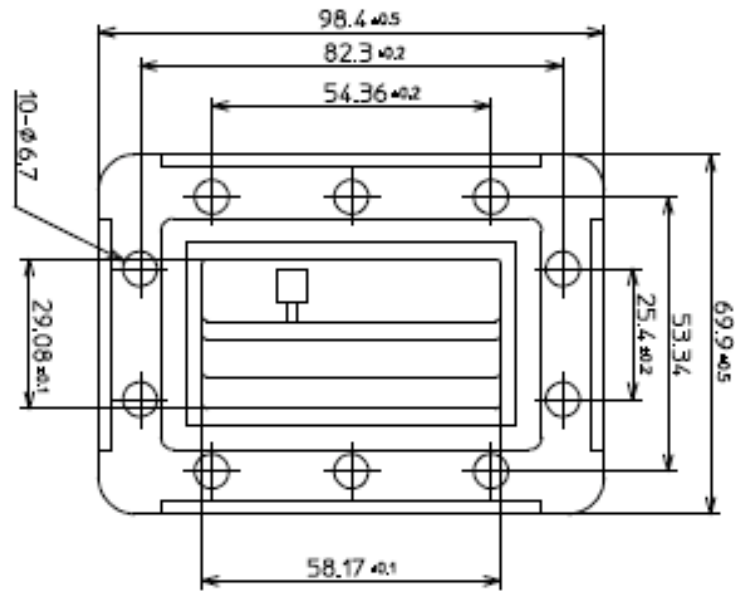
## Specifications

[www.orbitalresearch.net](http://www.orbitalresearch.net)

<b>Noise Temp:</b>	25K (typ) @ +25°C	<b>Input Conn:</b>	WR-229G
<b>LO Frequency Stability:</b>	≤ ±5 kHz over temperature range	<b>Output Connector:</b>	F-Type, 75Ω or N-Type, 50Ω
<b>LO Phase Noise:</b>	-80 dBc/Hz @ 1 kHz	<b>MTBF:</b>	>700,000 hours
<b>LO Leakage:</b>	-45 dBm max.	<b>Input Voltage:</b>	+12 to +24 VDC
<b>Gain:</b>	60 dB typical	<b>Current:</b>	250 mA max.
<b>Gain Ripple:</b>	1 dB p-p max per 36 MHz segment	<b>Size:</b>	144 x 68 x 39 mm 5.7 x 2.7 x 1.5 in
<b>Image Rejection:</b>	>45 dBc max.	<b>Weight:</b>	approx. 560g
<b>1dB Comp. point:</b>	+10 dBm min.	<b>Temp Range:</b>	-40°C to +60°C
<b>Input VSWR:</b>	2.2 : 1	<b>Relative Humidity:</b>	Up to 100%, frost and condensation
<b>Output VSWR:</b>	1.5 : 1 max @ 75Ω		

David Zuvic, 1-604-856-0305  
[dzuvic@orbitalresearch.net](mailto:dzuvic@orbitalresearch.net)

Mechanical Diagram



RoHS & REACH Compliant