



Orbital 3300 Series

C-BAND PLL BLOCK DOWN CONVERTER



10 to 40 dB gain, 250 to 800 MHz bandwidth

How to order a 3300 Series C-Band PLL BDC

Frequencies (GHz):

LO	Input	Output	Bandwidth
5.15S	- 3.70 to 4.20	.95 to 1.45	0.500
5.15S	- 3.60 to 4.20	.95 to 1.55	0.600
5.15S	- 3.40 to 4.20	.95 to 1.75	0.800

Bandwidth in MHz

'P' Signifies PLL - Phase Lock Loop

BDC 515S - 800 P-SF 20 -G

Input Connector

S - SMA, 50 ohm

Output Connector

F - F, 75 ohm
N - N, 50 ohm
S - SMA, 50 ohm
T - TNC, 50 ohm

Gain
20 - 20 dB

Optional

G - Temperature Compensated Gain

Orbital Flexibility:

With an LNA that covers your satellite, simply order a custom Orbital BDC to cover the bandwidth that you need. You can specify input and output connector types, external DC input, coaxial DC input, or dual power option. Most importantly, we can customize your gain to optimize compression point and noise distribution. Just tell us your needs and we will build a mass-custom solution in a unique, cost effective way.

"Mass-Custom" Solution

Orbital starts with a proven performance product that is extremely well engineered with the development costs amortized over hundreds of thousands of units and the parts costs reduced by volume discounts. We then customize the mass produced LNB into what you want at 1/100 the cost of designing and building from scratch.

Orbital Features:

Custom Engineering

- Begin with the low noise figure of a proven quality LNB
- Optimize Input and Output for superior VSWR
- Modify LO frequencies preserving phase noise and stability
- Modify and tune RF & IF filters for optimum response
- Tune for very low bandpass ripple
- Optimize Gain distribution for your system parameters

Environmental

- O ring sealed connectors for weather resistant operation
- RoHS & REACH compliant

Options

- External DC connector - F, N, BNC or Feedthrough
- Special Dual DC option via output coax and ext DC port
- Temperature Compensated Gain Variation
- Full test documentation available

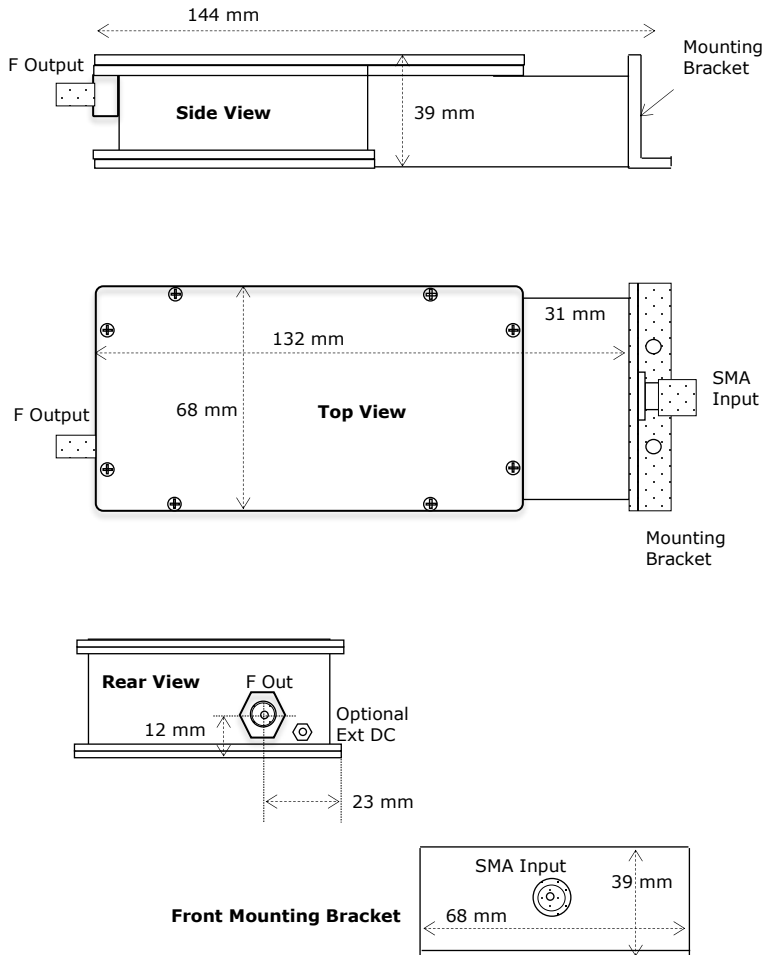
Contact

David Zuvic 604 419-8585 Ext 837,
dzuvic@orbitalresearch.net

Trevor Hiebert 604-419-8585 Ext 836
thiebert@orbitalresearch.net

Orbital 3300 Series C Band PLL BDC Specifications

Mechanical Drawing



Electrical Specifications

Input

Frequency: 3.4-4.2, 3.6-4.2, 3.7-4.2 GHz.
Other ranges available
Bandwidth: up to 800 MHz
Noise Figure: 10 dB max
Input VSWR: 1.5 : 1 typical
LO Leakage: -45 dBm max

Output

Bandpass: 950 up to 1750 MHz
Output VSWR: 1.5 : 1 typical
LO Stability: ± 5 kHz
1 dB Comp pt: +10 dBm minimum
3rd Order Intercept: +20 dBm minimum

LO Leakage: -45 dBm max
Image Reject: 45 dBm
Phase Noise: -80 dBc/Hz @ 1 kHz
-85 dBc/Hz @ 10 kHz
-95 dBc/Hz @ 100 kHz

Gain

Options: 20 dB
Ripple: 1dB p-p max per 36 MHz segment
Temperature Compensated Gain Variation (optional)
 ± 0.75 dB max over frequency band and -10 to +55 °C temp range

Power

DC Input: 12 to 24 VDC, 250 mA typical
Filtering: Transient, over and reverse voltage protected

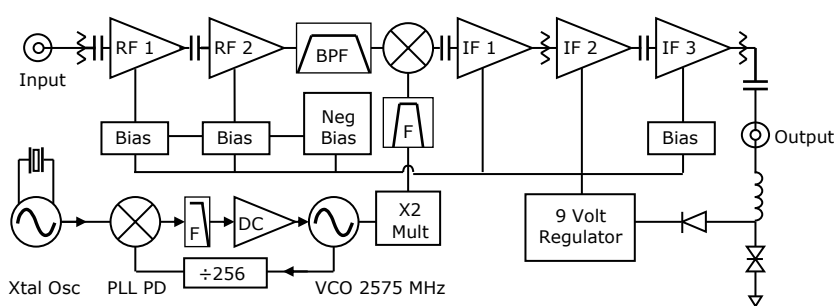
Mechanical Specifications

Size: 144 x 68 x 39 mm
5.7 x 2.7 x 1.5 inches
Weight: approx. 550 grams, 19.4 ounces
Paint: Brilliant White Enamel
RoHS & REACH Compliant

Environmental Specifications

Operating Temp: -40 to +60°Celsius
Relative Humidity: to 100% condensation & frost

Block Diagram



Enhancing Standard Product

Mass-production means low-cost, reliable, repeatable products. Engineers design these products well within margins on component specifications so that individual tuning is not required to meet desired specifications.

As we modify product, we also tweak the design and components to optimize them for their inherent capabilities. Effectively, we bring out the full potential of the product by adjusting components to their full capability.

Orbital Research Ltd. designs and builds products for satellite communications applications. Orbital sells directly and from its website www.orbitalresearch.net. Copyright © 2017 Orbital Research Ltd. All rights reserved. Specifications subject to change without notice.