

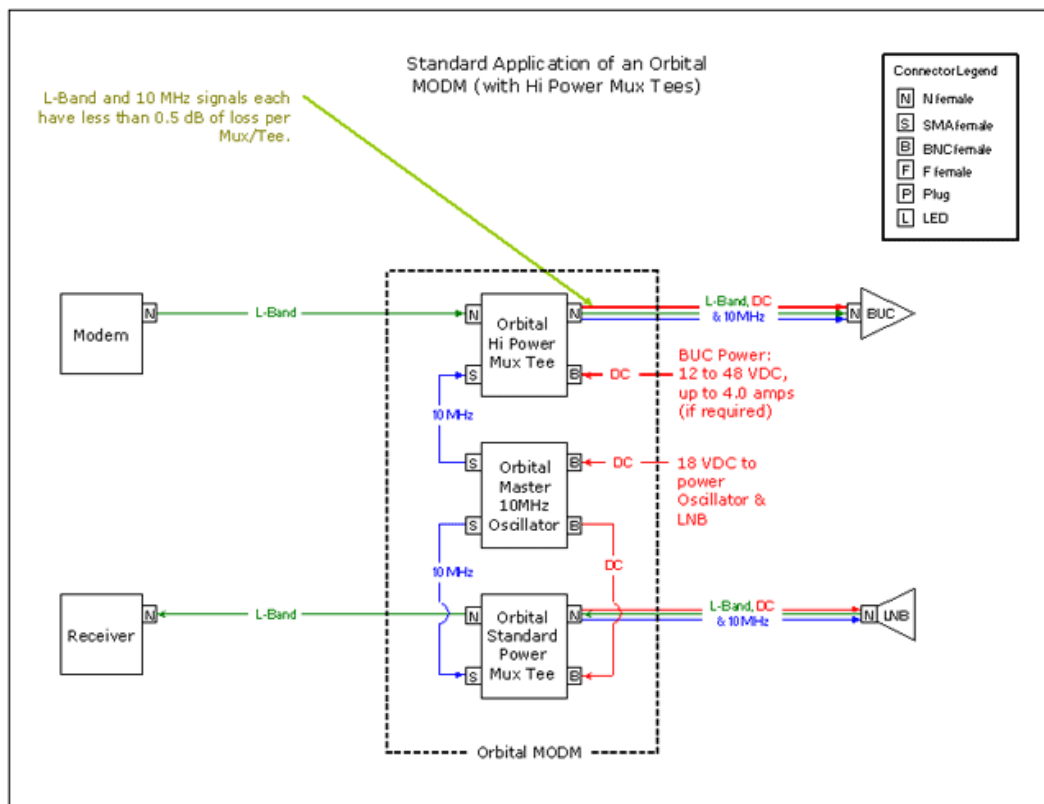
## Standard Use for a Master Oscillator Module

Using a Master Oscillator Dual Modules ( or Precision Oscillator Dual Modules ) to provide a 10 MHz reference signal to a BUC, and an LNB or BDC...

In this solution the dual independent outputs of the oscillator provide precision 10 MHz reference to each Mux Tee module allowing independent DC power to each device. In a VSAT, this can be high power to a BUC, and low power to an LNB. For a dual polarity system, each of LNBS is fed by its own Mux Tee module for optimum isolation.

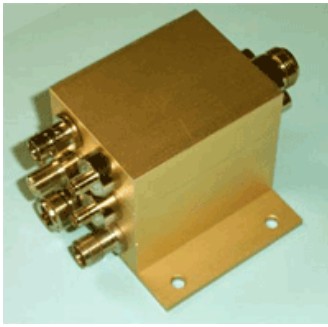
The modular architecture of the Orbital product line allows the assembly of these modules into a single encapsulated unit complete with rack-mounting provisions.

A variety of modules can be stacked for other applications, for instance a 10 MHz Splitter, a TTL switch, a DC bus, and a bunch of stuff we can't talk about.



### Signal Line Legend

- DC Power
- L-Band
- 10 MHz Reference



# MODM - Master Oscillator Dual Module

Shown as a stack, also available on a plate, or in a rack.

