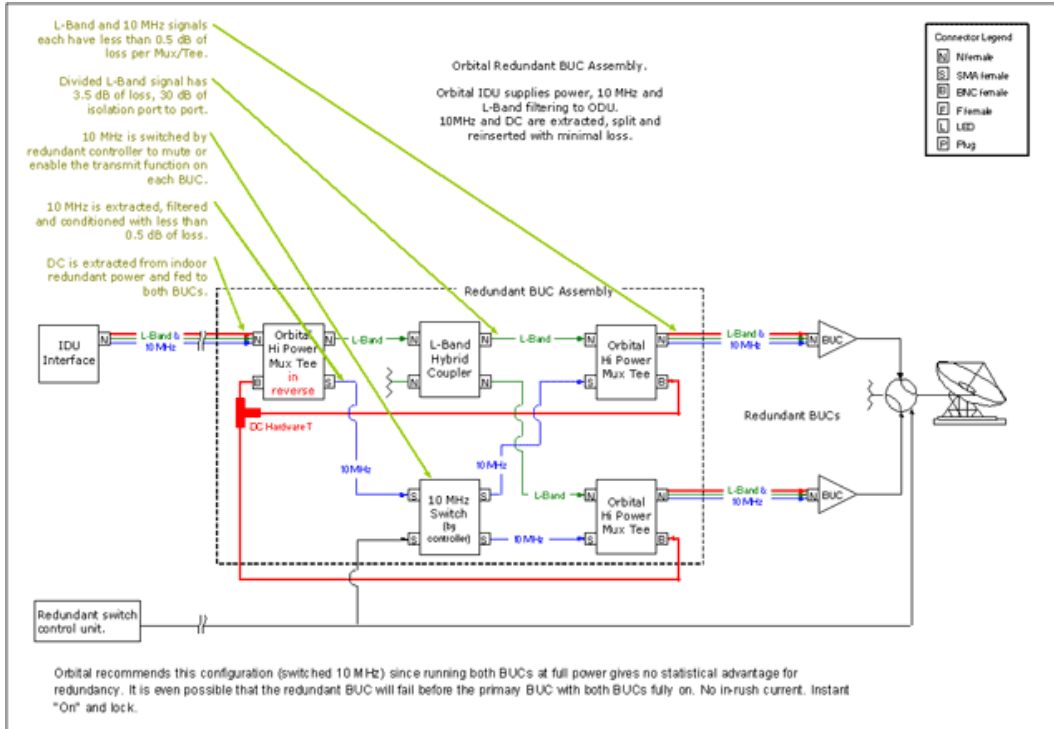


Orbital IDU, Divider Multiplexer, and Redundant BUCs

Orbital Redundant BUC Assembly -

Orbital IDU supplies power, 10 MHz and L-Band filtering to ODU. 10 MHz and DC are extracted, split and re-inserted with minimal loss.

Orbital recommends this configuration (switched 10 MHz), since running both BUCs at full power gives no statistical advantage for redundancy. It is possible that the redundant BUC will fail before the primary BUC with both BUCs running fully on. No inrush current. Instant "On" and lock.



Signal Line Legend

- Red: DC Power
- Green: L-Band
- Blue: 10 MHz Reference



MT25/40 - Bias Tee Multiplexer

