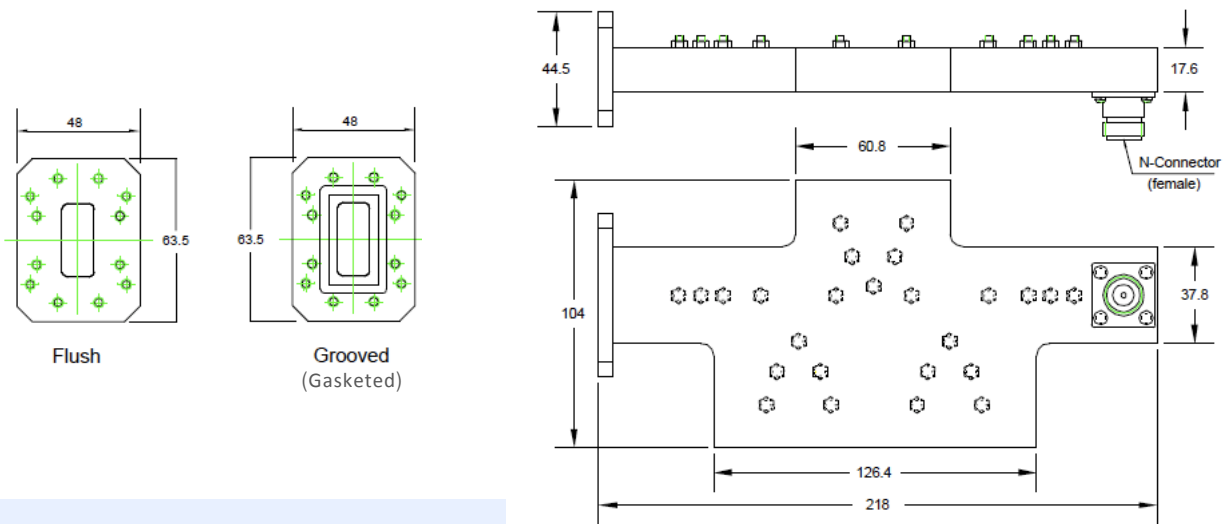


Orbital TBPF Series X-Band Transmit Bandpass Filter



Mechanical Drawing



Filter
 TXBPFX-WF12 - Transmit bandpass filter with WR-112 input interface, 12-hole, flat waveguide

Output Connector
 WG12 - WR-112 gasketed 12-hole flange
 N - N Connector (50Ω)

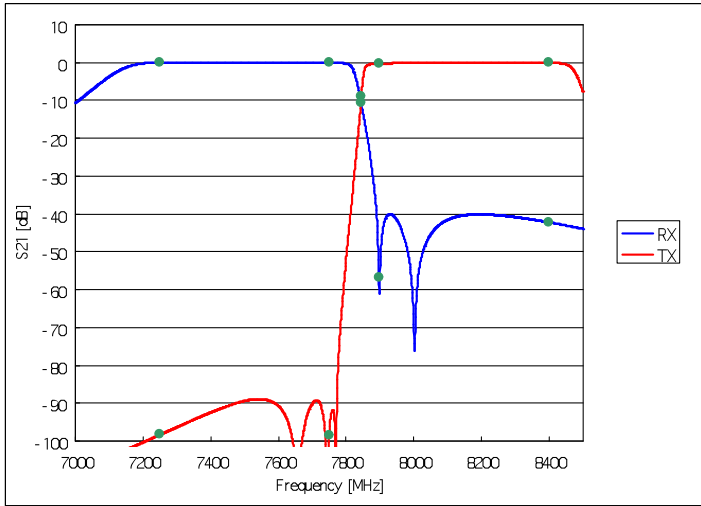
TXBPFX-WF12 N-90

Attenuation
 90 - 90 dB (7.25 to 7.75 GHz)

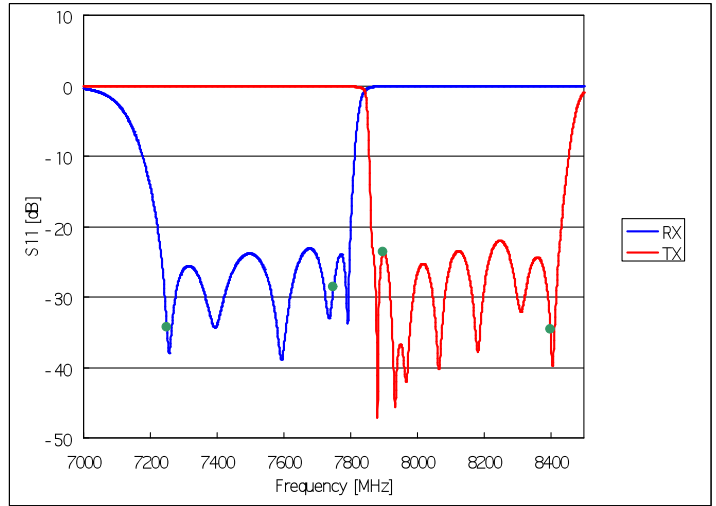
Specifications

Pass Band:	7.9 to 8.4 GHz
Insertion Loss:	0.4 dB max
Attenuation:	90 dB
	in Rx band of 7.25 to 7.75 GHz
VSWR:	1.20 : 1
Connectors:	WR-112 flange, SMA, or N
Dimensions:	8.6 x 4.1 x 1.75 in, 218 x 104 x 44.5 mm
Weight:	0.9 lbs, 400 grams
RoHS & REACH Compliant	

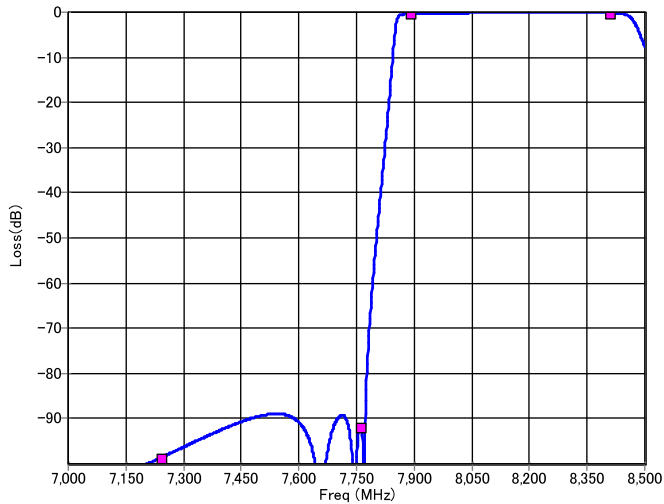
Attenuation characteristics of Tx-BPF and Rx-BPF



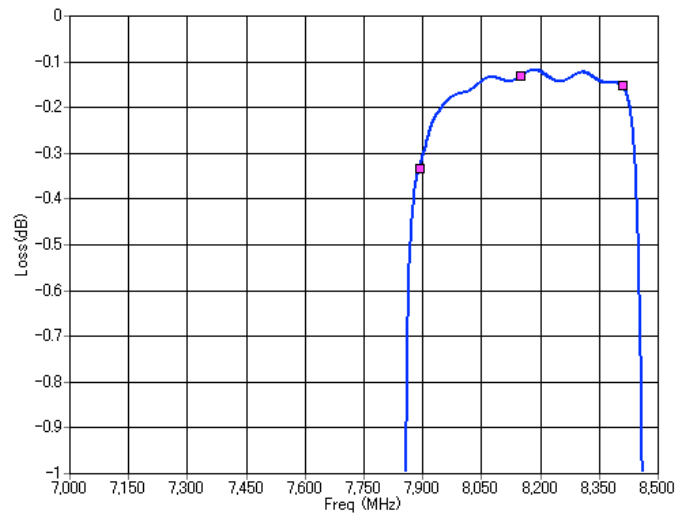
Return Loss characteristics of Tx-BPF and Rx-BPF



Attenuation in Rx Band



Insertion Loss in Tx Band



Orbital Research Ltd. designs and builds products for satellite communications applications. Orbital website: Copyright © 2012 Genie in the Bottle Enterprises Inc. All rights reserved. Specifications subject to change without notice.

www.orbitalresearch.net