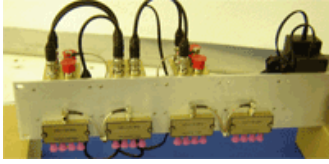


...Routing and Controlling Satellite Signals...



... Using Orbital Systems Interface Products

This is a typical IDU/ODU system - but the Orbital system is flexible enough for almost any configuration. We can help design just the system for you. Just call us at:

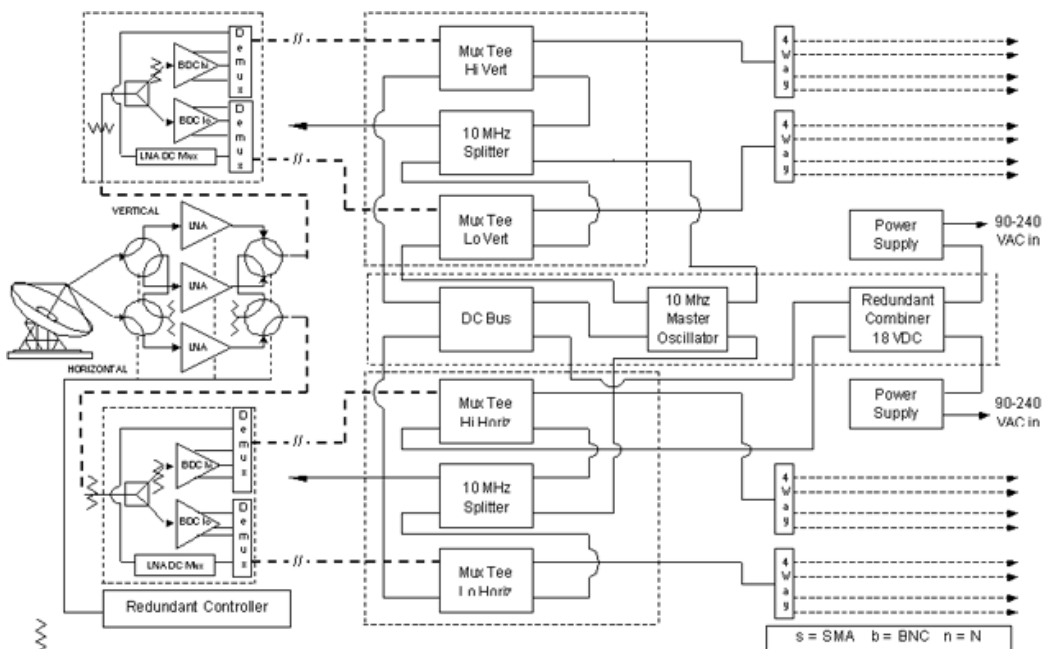
Contact:

Sales@orbitalresearch.net
1-604-419-8585

Here is a redundant horizontal/vertical polarity solution using Orbital's Systems Interface Products to route the satellite signals. This project includes both indoor (IDU) and outdoor segments (ODU).

One for two redundant LNA's, horizontal and vertical high/low BDCs all controlled by the same Orbital Master Oscillator and combined for output to various client devices. All of the BDCs are in weather-tight enclosures out at the dish and are linked to the IDU through the IFL cable.

Remember that Orbital Combiners solve the problem of External Reference signals.



Due to unknown length, Orbital is unable to supply the cables shown as dashed lines. These cables are:

- 2 only - N to SMA - Ku cables from the output of the redundant switch to the input of the BDC boxes
 - 4 only - N to N - L band IFL cables from the output of the outdoor BDC boxes to the input of the indoor Mux Tees
 - 16 only - SMA to ?? - L band cables from the output of the 4 way splitters to various client devices, modems and modems
- If there are any questions, call 604-723-9120 or www.orbitalresearch.net

