

Making the Interfacility Link, Link

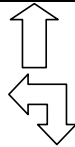
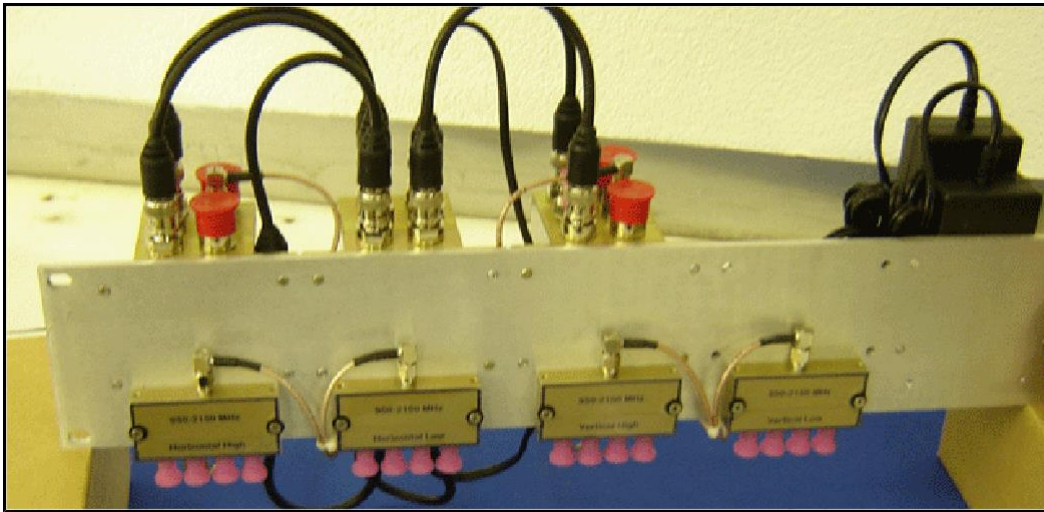
This is a typical IDU/ODU system - but the Orbital system is flexible enough for almost any configuration. We can help design just the system for you. Just call us at:

Contact:

sales@orbitalresearch.net
1-604-419-8585

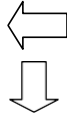
Here is a redundant horizontal/vertical polarity solution using Orbital's Systems Interface Products to route the satellite signals. This project includes both indoor (IDU) and outdoor segments (ODU).

One for two redundant LNA's, horizontal and vertical high/low BDCs all controlled by the same Orbital Master Oscillator and combined for output to various client devices. All of the BDCs are in weather-tight enclosures out at the dish and are linked to the IDU through the IFL cable.



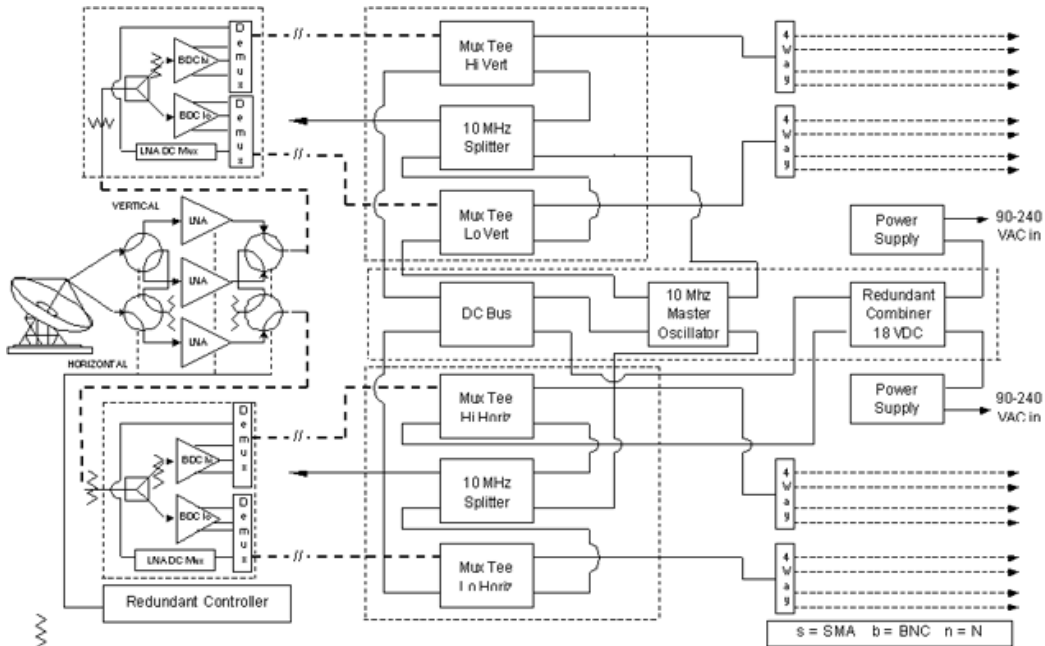
Orbital IDU - Plate Mounted

Orbital ODU - Enclosure



Orbital 'Stack' of SIP modules

Orbital Ku BDC Module



Due to unknown length, Orbital is unable to supply the cables shown as dashed lines. These cables are:

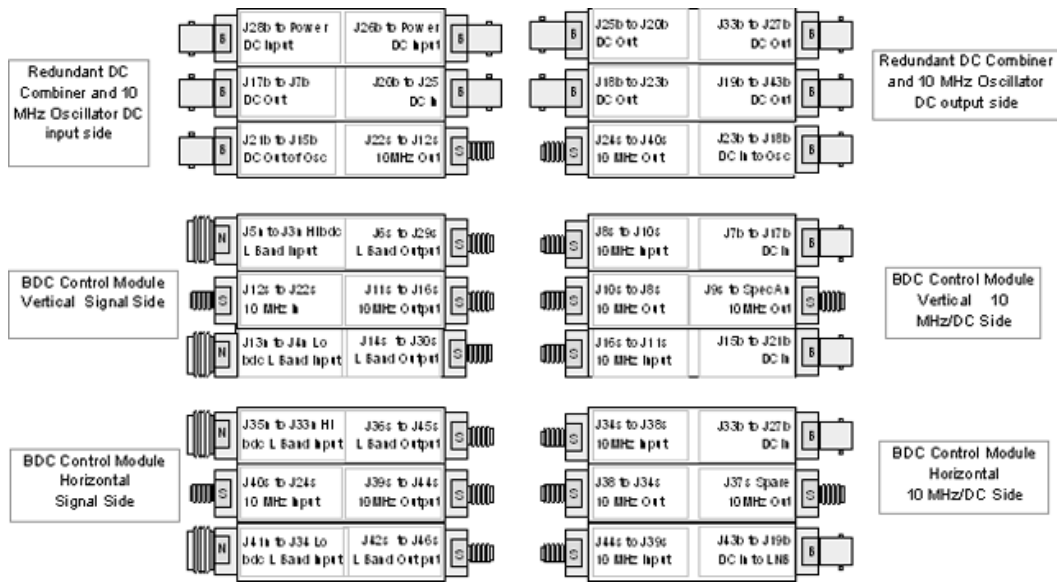
2 only - N to SMA - Ku cables from the output of the redundant switch to the input of the BDC boxes

4 only - N to N - L band IFL cables from the output of the outdoor BDC boxes to the input of the indoor Mux Tees

16 only - SMA to ?? - L band cables from the output of the 4 way splitters to various client devices, modems and modems

If there are any questions, call 604-723-9120 or www.orbitalresearch.net





In	Out	Type	Dist	In	Out	Type	Dist	In	Out	Type	Dist	SES	Inch
J1n to J2n	N to SMA Ku LNA Cable, Pol 1		1	J6s to J29s	SMA to SMA L band output		1 8	J8s to J10s	SMA to SMA, 10 MHz Jumper		1	4	
J31n to J32s	N to SMA Ku LNA Cable Pol 2		1	J9s to J30s	SMA to SMA L band output		1 8	J1s to J16s	SMA to SMA, 10 MHz Jumper		1	4	
J3n to J5n	N to N L band IFL cable on site		1	J36s to J45s	SMA to SMA L band output		1 8	J2s to J22s	SMA to SMA, 10 MHz Jumper		1	8	
J4n to J13n	N to N L band IFL cable on site		1	J42s to J46s	SMA to SMA L band output		1 8	J24s to J40s	SMA to SMA, 10 MHz Jumper		1	8	
J33n to J35n	N to N L band IFL cable on site		1	J7b to J7b	BNC to BNC, DC jumper		1 6	J34s to J38s	SMA to SMA, 10 MHz Jumper		1	4	
J34n to J41n	N to N L band IFL cable on site		1	J9b to J2b	BNC to BNC, DC jumper		1 6	J39s to J44s	SMA to SMA, 10 MHz Jumper		1	4	
Splitter Output	SMA to ?? L band to Modems		8	J1b to J43b	BNC to BNC, DC jumper		1 6	J8s to ??	SMA to Client Defined		x	opt	
Power Supply	IEC 320 plug to local AC		2	J27b to J33b	BNC to BNC, DC jumper		1 6	J37s to ??	SMA to Client Defined		x	opt	
				J20b to J25b	BNC to BNC, DC jumper		1 7						
				J18b to J23b	BNC to BNC, DC jumper		1 6						
	BNC to BNC, DC jumper		6		SMA to SMA, 10 MHz Jumper, 8"				SMA to SMA, 10 MHz Jumper 4"		4		