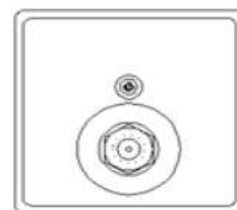
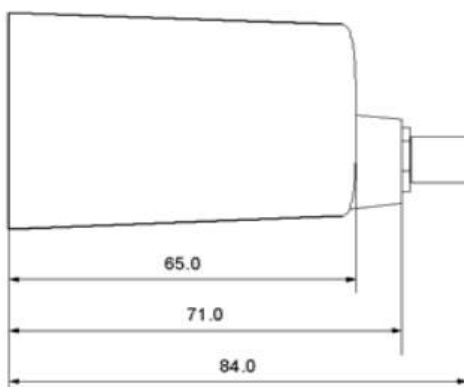
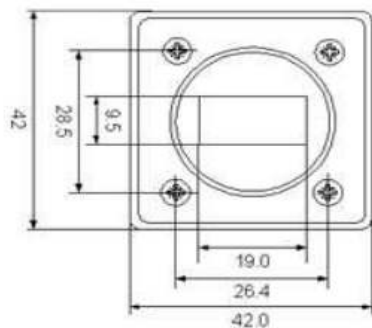




## Orbital 4000 Ku-Band DRO LNB



The Orbital 4000 is a high-quality Dielectric Resonator Oscillator (DRO) LNB with 45 to 55 dB gain and 500 to 750 MHz bandwidth. It offers Ku frequency ranges between 10.70 GHz and 12.75 GHz and can be customized to meet your specific requirements. This low-cost DRO LNB comes in a very small package – and is perfect for commercial Ku deployments of video or high-speed internet applications.



## FREQUENCY RANGE

RF Frequency Band (GHz)	10.70 to 12.75
IF Frequency Band (MHz)	950 to 1700
Bandwidth (MHz)	750 max
Local Oscillator (GHz)	9.75, 10.0, 10.75, 11.3
Noise Figure (dB)	0.8 nominal
LO Stability	+/- 1.0 MHz

## VSWR

Input	1.5:1 nominal
Output	2.5:1 nominal

## GAIN

Gain (dB)	45, 50, or 55
-----------	---------------

## OTHER SPECS

1 dB Compression (dBm)	+3 min
OIP3 (dBm)	+13 min

## POWER<sup>1</sup>

Current Draw	150 mA
Filtering	Transient, over and reverse voltage protection
Input Voltage Range	15 to 24 VDC

## MECHANICAL

Weight (grams)	120
Length (mm)	84
Width (mm)	42
Depth (mm)	42
Input Connector	WR-75
Output Connector	F, N, SMA, TNC

## OPTIONS

DO160 compliance
P1 dB +7 dB
OIP3 +17 dBm

Please contact Orbital Research for ordering information: [sales@orbitalresearch.net](mailto:sales@orbitalresearch.net)

<sup>1</sup> Power supplies must meet 100 mV maximum ripple and noise