



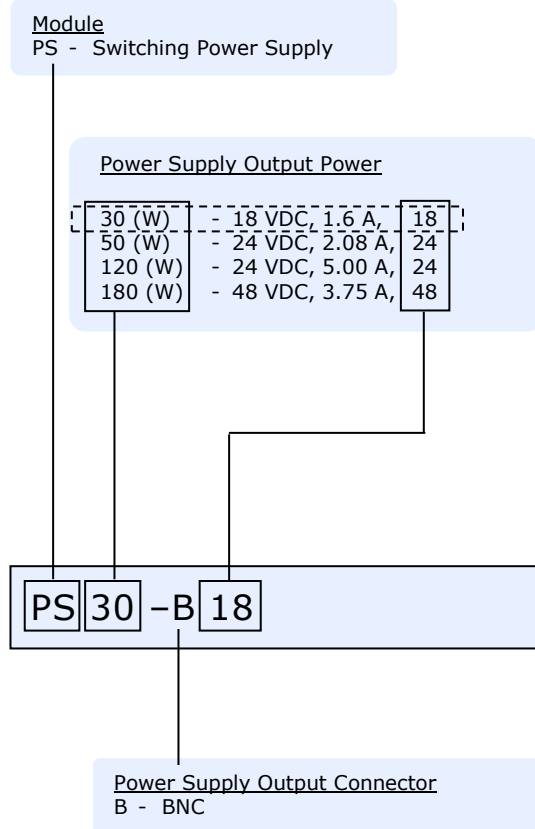
Power Supplies

PS2 Series Global Power Supply



High Efficiency, Compact, Universal Power Supply

How to order a PS2 Series Global Power Supply



BNC-to-pigtail adapters and BNC-to-binding post adapters sold separately. Contact Orbital Research for part number and price.

Orbital Features:

- Global Input: 90 - 264 VAC
- Continuous Short Circuit Protection
- Over Voltage Protection
- Conductive EMI Meets CISPR/FCC Class B
- High Efficiency, 88% Typical
- Green Power (Input power < 0.75W at no load)
- Meets "European Commission of Energy" 2003 year Phase 2
- Also available with SIP mounting plate (see RPT - Redundant Power Tee brochure)

Ordering:

The PS2 Series can power an Orbital Oscillator, LNB, BDC, or low power BUC through an Orbital Mux/Tee. For Orbital Oscillators, the 18V version is recommended since using a higher voltage power supplies may damage the Oscillator. Please make sure and choose the proper connector. (For North American applications, the PS1 could be ordered instead.)

To use the PS2 Series power supply with an LNB, BDC or BUC, the customer can choose from the options available. For operation with our MOM - Master Oscillator Module, POP - Precision Oscillator Package or MODM - Master Oscillator Dual Module, make sure the power supply voltage is within the 15 to 20 VDC specified for the Oscillator. Otherwise use one power supply for the Oscillator and a second one for the secondary package. Power supplies with other Wattages and Voltages are available upon request.

Notice:

The PS2 Series power supplies do not come with the AC power cord. This has to be purchased locally because of the wide range of outlet styles.

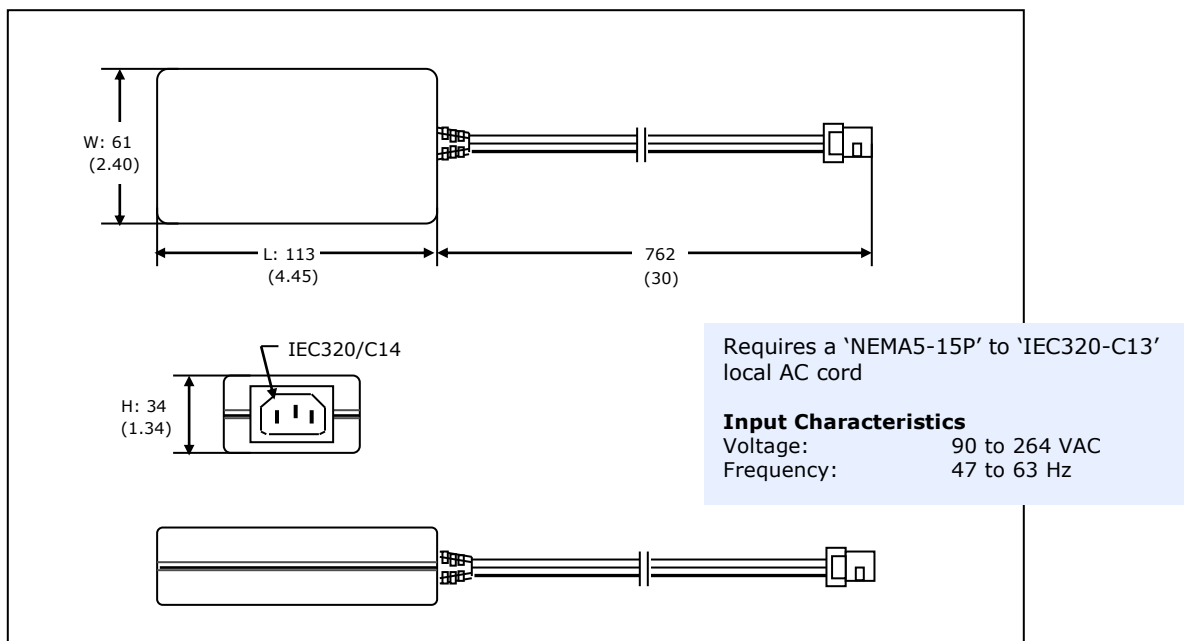
Sales contact:

sales@orbitalresearch.net

1 604 419-8585

www.orbitalresearch.net

PS2 Series – Global Power Supply Specifications



Mechanical drawing with dimensions for 30W unit.
 Dimensions in millimeters (inches)

Model	Output Voltage	Max. Load	Input Current (115VAC)	Input Current (230VAC)	Ripple & Noise	Total Regulation
PS30-B18	18VDC	1.6 Amp	1A	0.5A	180mVp-p	± 5%
PS120-B24	24VDC	5.00 Amp	1.4A	0.7A	200mVp-p	± 3%
PS180-B48	48VDC	3.75 Amp	2.5A (rms)	1.25A (rms)	380mVp-p	± 5%

Electrical Specifications

	30W	120W	180W
Inrush Current:	30A (115VAC) max	120A (230VAC) max	no damage
MTBF:	50,000 hours	300,000 hours	100,000 hours

Mechanical Specifications

	30W	120W	180W
Dimensions (inches):	4.45 x 2.40 x 1.34	6.57 x 2.63 x 1.38	6.69 x 3.35 x 1.5
Weight (ounces):	8.5	18.4	30.3

Environmental Specifications

	30W	120W	180W
Operating Temperature:	0 to +45°C	0 to +50°C	0 to +40°C
Storage Temperature:	-30 to +85°C	-20 to +85°C	-20 to +80°C

Orbital Research Ltd. designs and builds products for satellite communications applications. Orbital website: www.orbitalresearch.net. Copyright © 2014 Genie in the Bottle Enterprises Inc. All rights reserved. Specifications subject to change without notice.

