



R10DA: 2 input, 4 output

System Interface Product

Redundant 10 MHz Switch & Distribution Amplifier



R10DA Description

Orbital Research's R10DA is a 10 MHz Reference signal distribution splitter and variable gain amplifier, redundancy system. It will automatically (or manually) switch between inputs if the main Oscillator stops operating or the power level drops below a customer's threshold setting.

On-board RF detectors on both inputs allows the system to automatically detect the level of incoming signals and set the outputs to the appropriate level, even if the input signals are of different levels.

Orbital's R10DA is designed as a carrier grade module for systems that demand high availability and high performance whether it is for a head-end or remote VSAT.

Mechanical Specifications

| | |
|-----------------|--|
| Size (case): | 87l x 130w x 45h mm |
| Weight: | 32 oz |
| Paint / Color: | Blue Anodized finish |
| Mounting holes: | 3/8" (5mm) |
| | Accepts standard rackmounting screws: 10/32 or 10/34 |

Environmental Specifications

| | |
|--------------------|-----------------------------------|
| Operating Temp: | -40 to +50° Celsius |
| Relative Humidity: | UP to 100% condensation and frost |

R10DA Features

- Port to Port Output Isolation >20 dB
- Switched input Isolation >50 dB
- Insertion Loss <0.5 dB
- VSWR < 1.50:1 (all ports)
- Phase Balance <5 deg
- P1 dB (with 0dB attenuation):
 - Input > 6.0 dBm
 - Output > 11.0 dBm
- Gain Range: +10 to -10 dB (in 0.5 dB steps)
- Fixed gain (set to a desired gain) or,
- AGC - Automatic Gain Control (maintain desired output level regardless of input),
- Amplitude Imbalance: <0.2 dB
- Power: 5 to 40 VDC (<150 mA)
- With 485, 232 or USB interface, input and output levels can be read

Connections

- RF Connectors: SMA standard, BNC, TNC, N Optional
- M&C Connector: M8 IP67 rated multi-pin or Mini USB
- DC Connector: M8 IP67, BNC or Solder Lug
- USB Connector: IP67 rated mini USB B

Functional

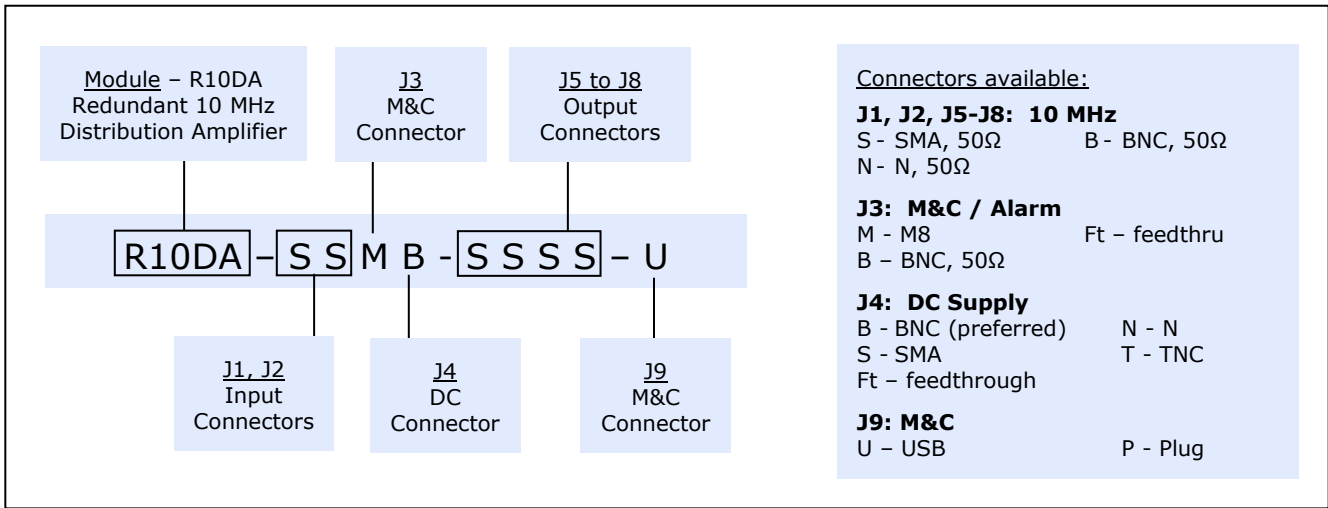
- Can be used with LNBs, BDCs, BUCs, VSATs, etc.
- Optional local control and status indicators
- Optional remote monitoring:
 - J3: Form C, RS485
 - J9: USB

Structural

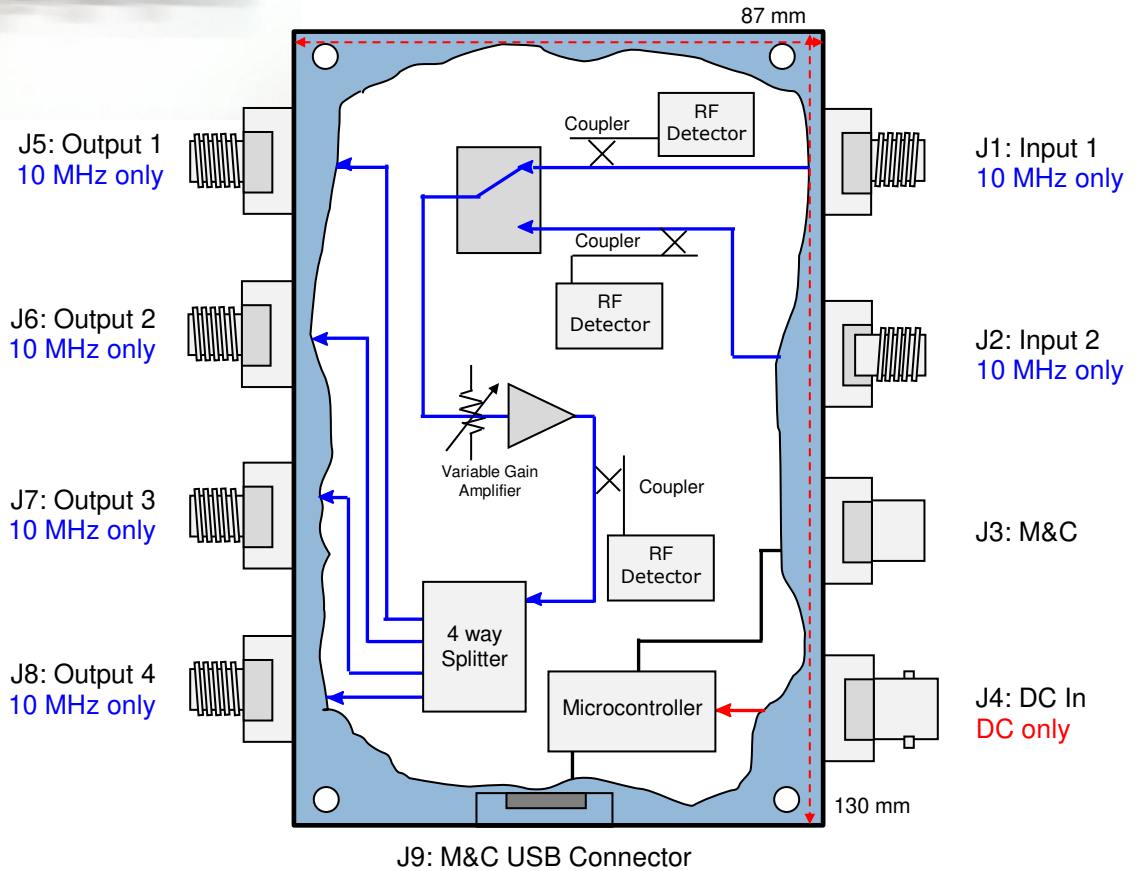
- Machined from a solid aluminum billet for strength and stability
- Anodized finish for corrosion protection and excellent RF shielding/grounding
- IP67 rated connectors ("O" ring sealed) & hardware

Sales Contact
1-604-419-8585
sales@orbitalresearch.net

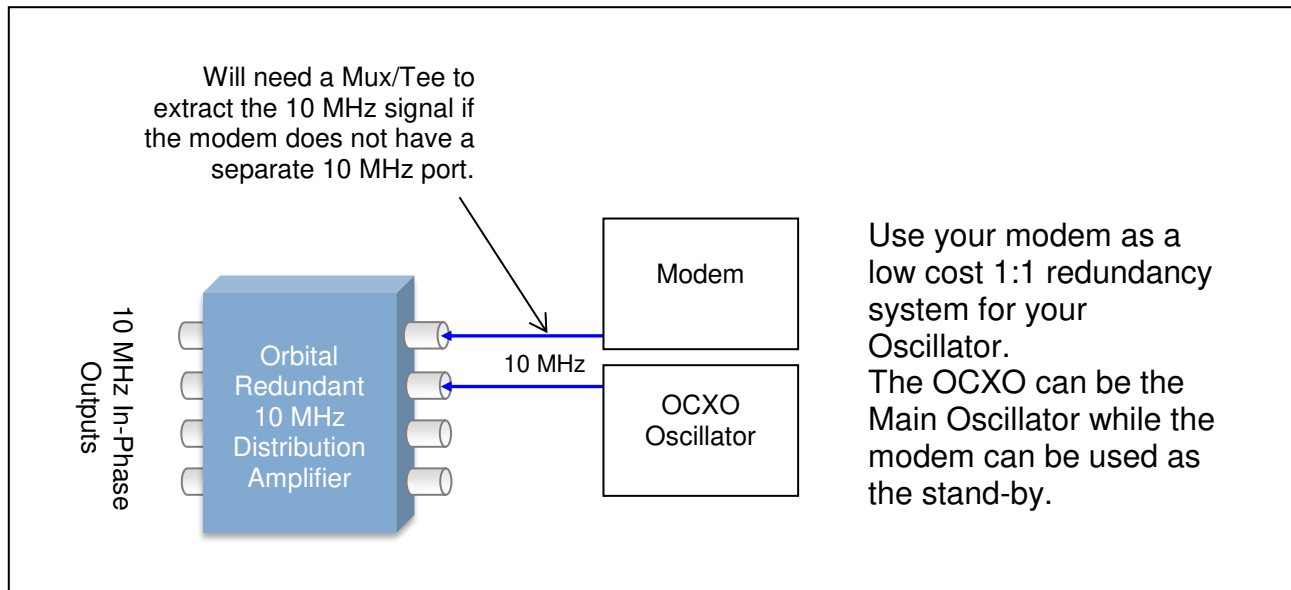
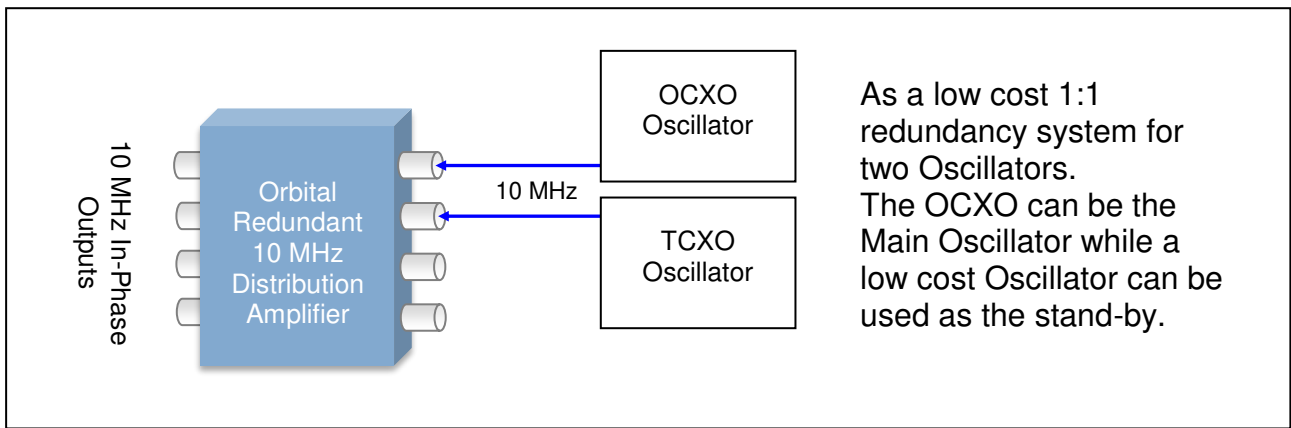
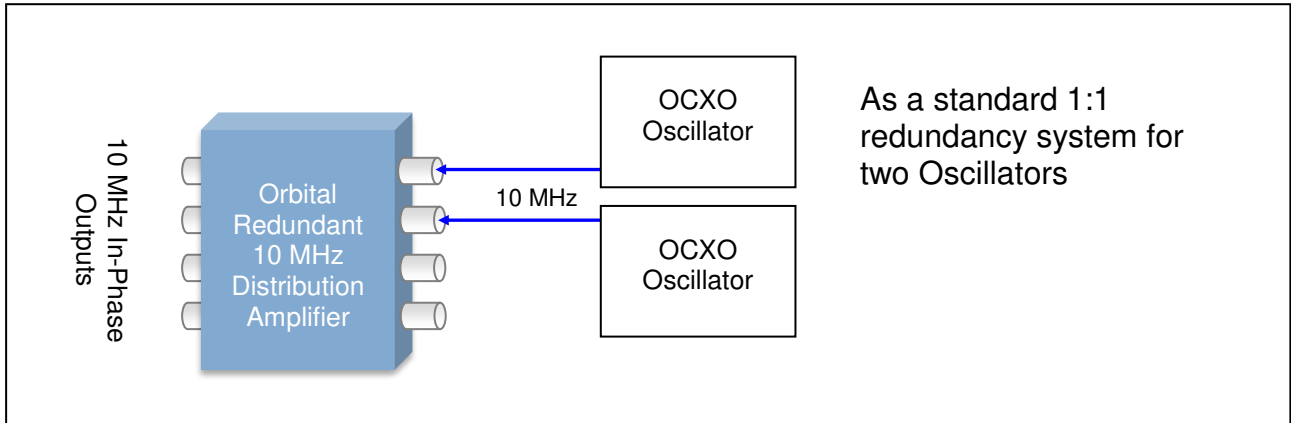
Part Number Generator

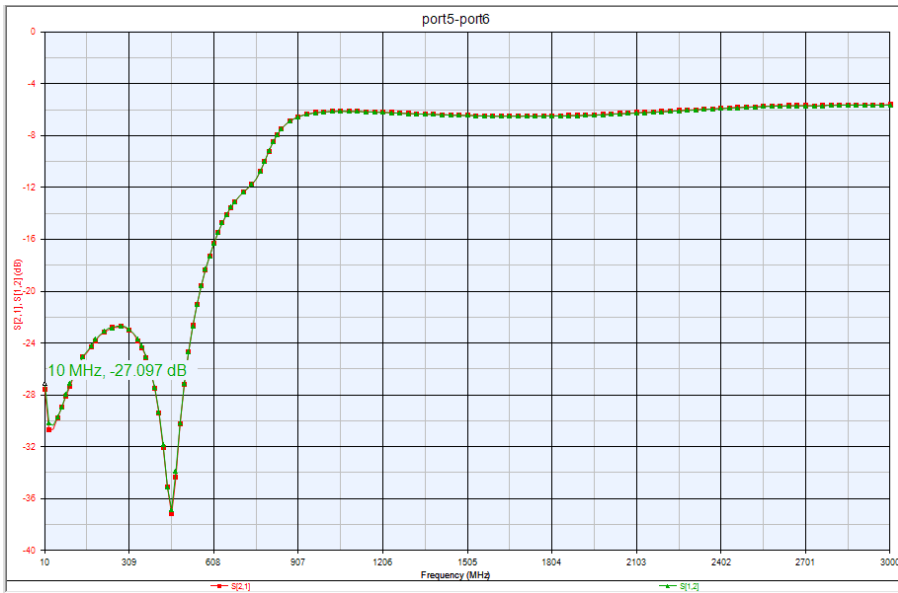


Mechanical & Block Diagram

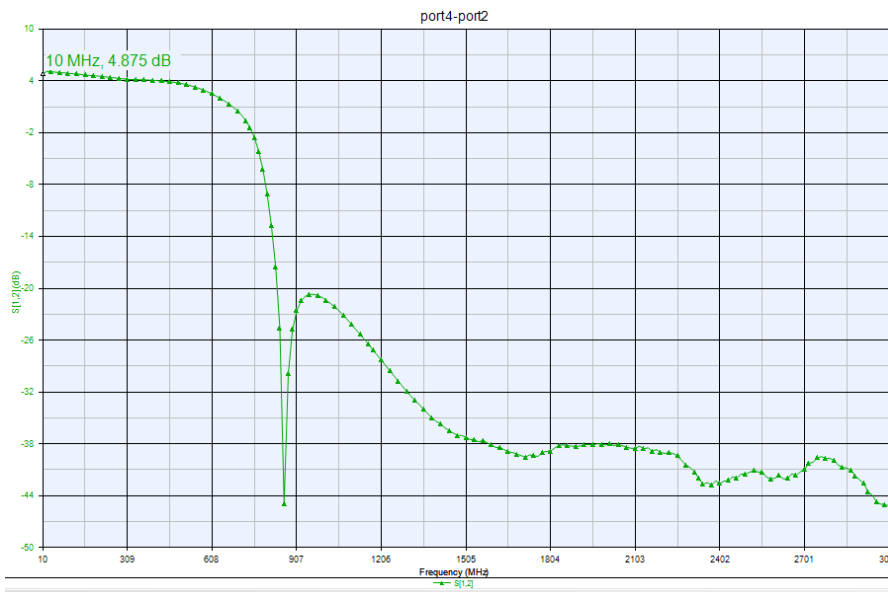


Application Examples

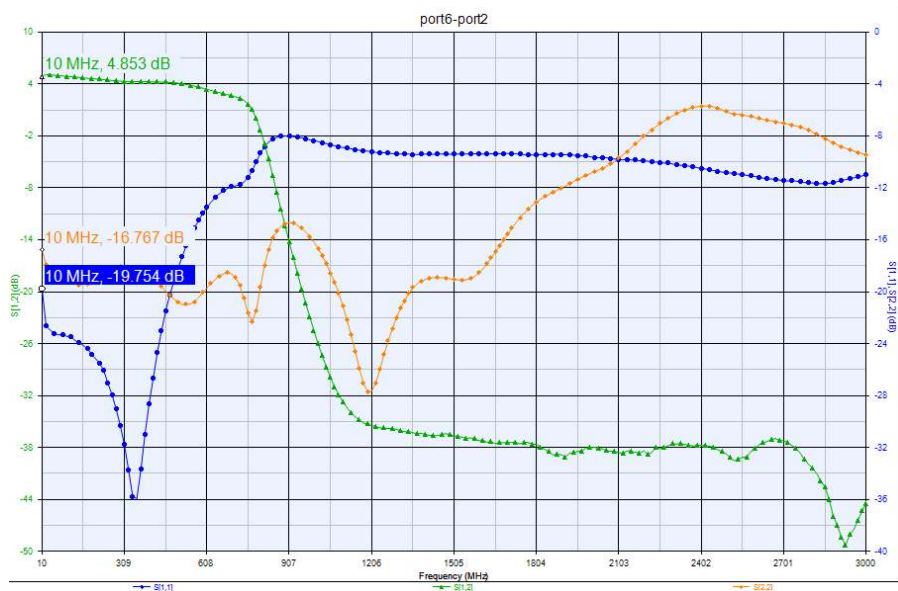




Port to Port Isolation



Insertion Gain
(0 dB Attenuation)



S_{2P} (Return Loss –
Input & Output)

Orbital Research Ltd. designs and builds products for satellite communications applications. Orbital website: www.orbitalresearch.net. Copyright © 2017 Orbital Research Ltd. All rights reserved. Specifications subject to change without notice.

Orbital Red 10 MHz Dist Amp-180502

