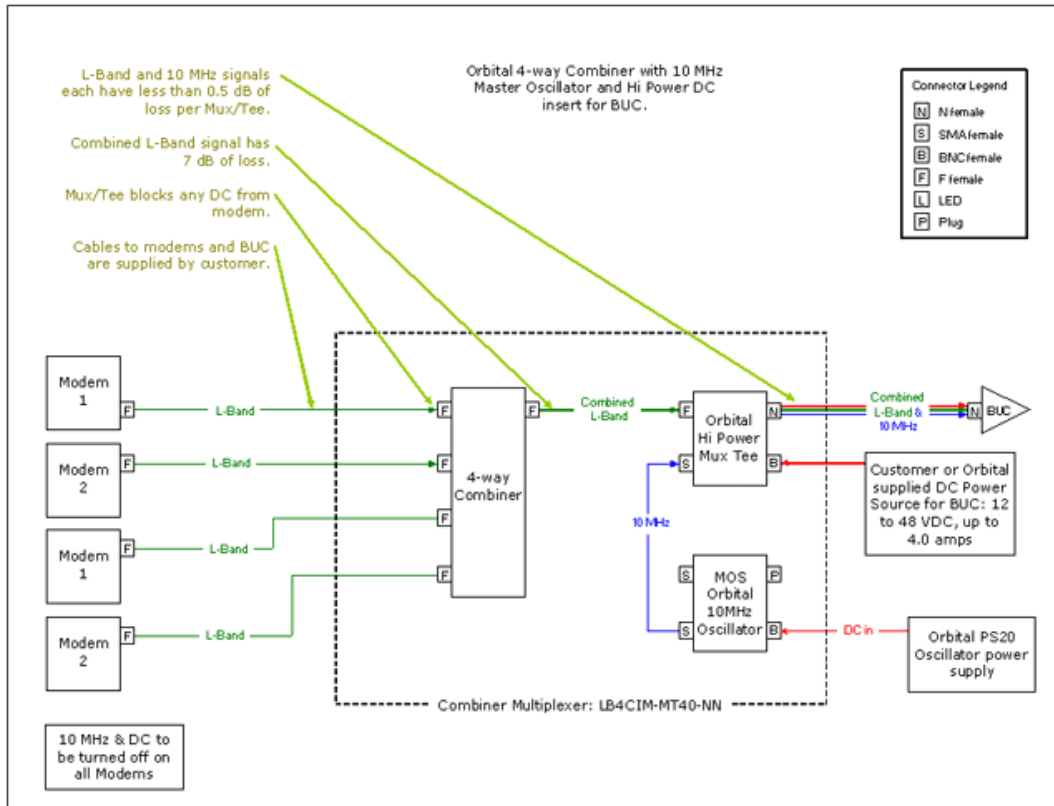


Four Way Combiner with 10 MHz Master Oscillator

Orbital 4-way Combiner with 10 MHz Master Oscillator and Hi Power DC insert for BUC

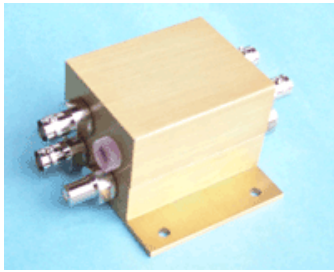
With the 10 MHz reference and DC turned off on a quartet of modems, only the L-Band is passed to the 4-way combiner. An Orbital MOS provides the 10 MHz reference to the Orbital Hi Power Mux/Tee that integrates the signals and inserts the DC to the high power BUC.



Signal Line Legend

- DC Power
- L-Band
- 10 MHz Reference

- Cables from Modem to Combiner and from Combiner to BUC, supplied by customer. All of jumpers supplied by Orbital.
- All modems need to have their DC turned off.
- The 10 MHz signal is provided by an Orbital standalone, 10 MHz Oscillator (MOS).
- The Orbital Hi Power Mux/Tee is required at the output of the Combiner to integrate the 10 MHz with the L-Band signal and DC power (12 to 48 VDC at up to 4 amps).



POP - Precision Oscillator Package

Shown as a stack, also available on a plate, or in a rack.

