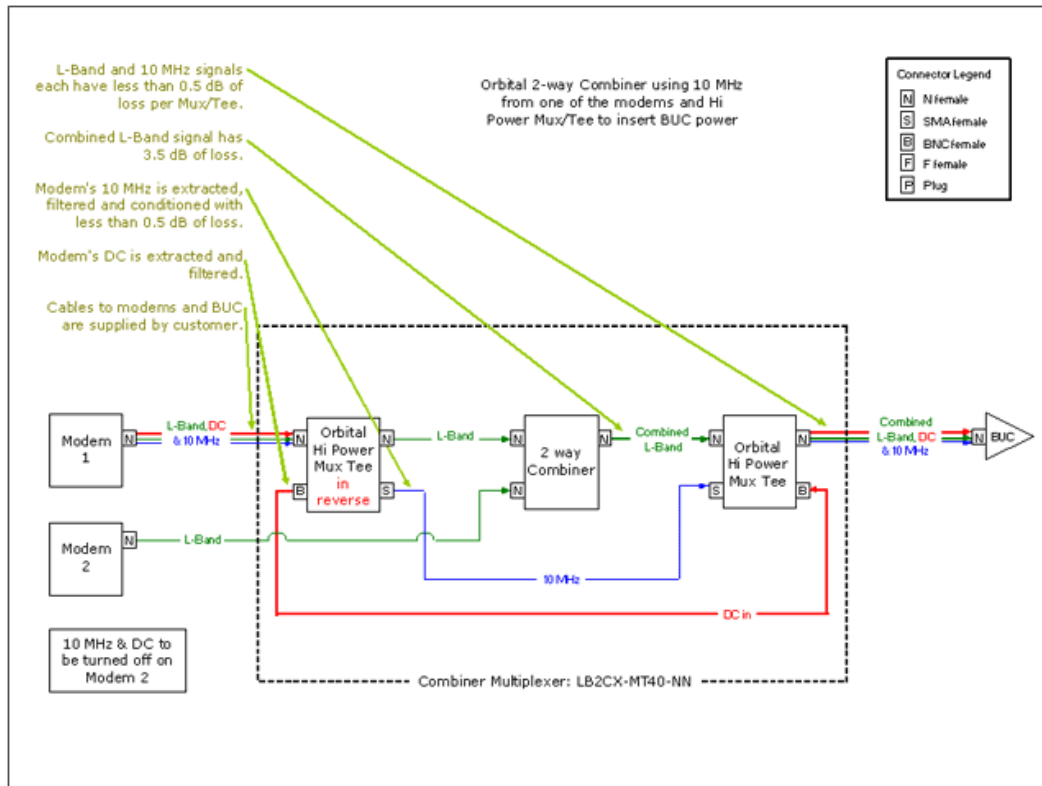


Adding a Second Modem Utilizing the DC from Modem 1

Orbital 2-way Combiner using 10 MHz from one of the modems and Hi Power Mux/Tee to insert BUC power.

An Orbital Mux/Tee in reverse is used to extract the 10 MHz signal from one of the modems, and modem DC to insert BUC power. The L-band signal from both of the modems is combined in a two-way combiner in preparation for being re-integrated with the 10 MHz reference, along with the DC power, (filtered by the mux tees), provided by the modem.



Signal Line Legend

- DC Power
- L-Band
- 10 MHz Reference

- ❑ Cables from Modem to Combiner and from Combiner to BUC, supplied by customer. All of jumpers supplied by Orbital.
- ❑ All modems need to have their DC turned off.
- ❑ The 10 MHz signal is taken from one of the modems, however, an Orbital standalone, 10 MHz Oscillator (MOS or POS) can be used in place of the modem Oscillator.
- ❑ The Orbital Hi Power Mux/Tee is required at the output of the Combiner to re-integrate the 10 MHz signal with the L-Band signal. So at no extra cost, the customer can insert the DC to power the BUC at this point eliminating the need to have an extra cable out to the BUC or to have power outside at the BUC.

