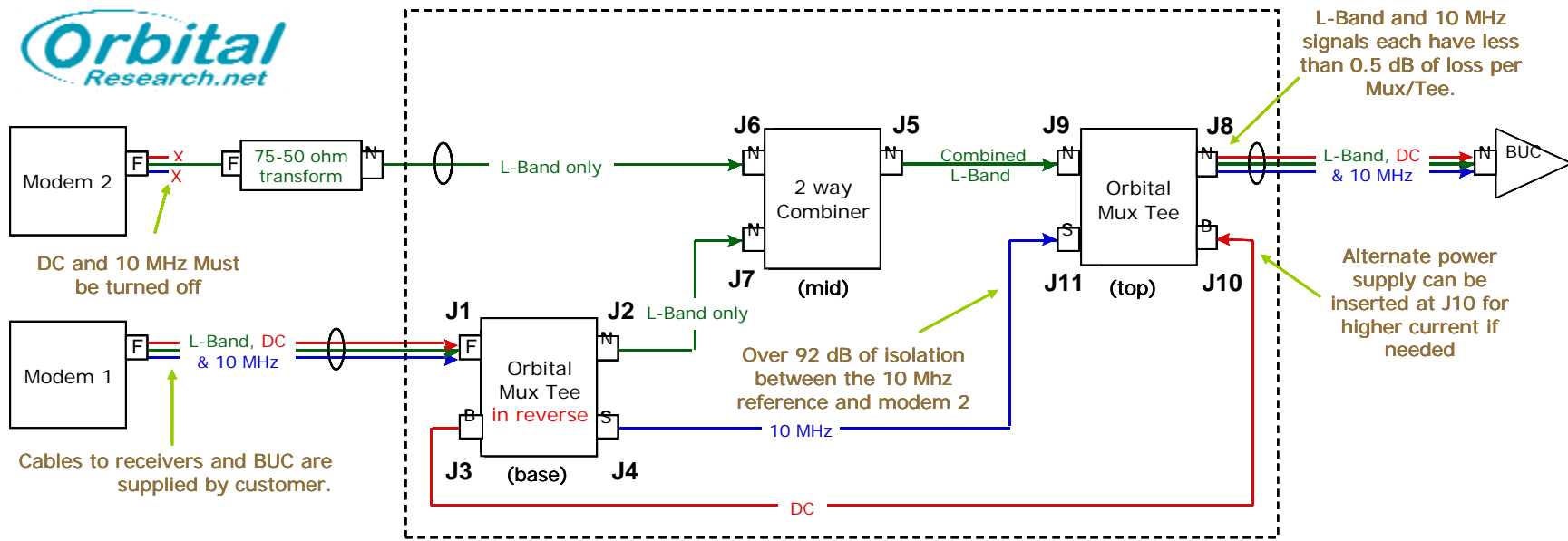




### L-Band Combiner Multiplexer: LB2CX-40FN



#### Connector Legend

- N female
- SMA female
- BNC female
- F female
- TNC female
- Feedthru
- LED
- Plug

DC & 10 MHz are extracted from Modem 1, filtered and reinserted to the reverse muxtee. Only the L band is fed to the combiner so that maximum port to port isolation is preserved at L band, and there is no attenuation or corruption of the 10 MHz signal and no DC to burn up the Wilkinson combiner. The signal from Modem 2 is fed to a 75 to 50 ohm impedance transform and then to the combiner, but MUST have the DC and 10 MHz turned of in the modem. As well, a separate DC source can be inserted instead of the loop thru modem DC for higher current BUCs. The 2 way combiner can be replaced by a four way combiner with no other changes if additional modems are required.

